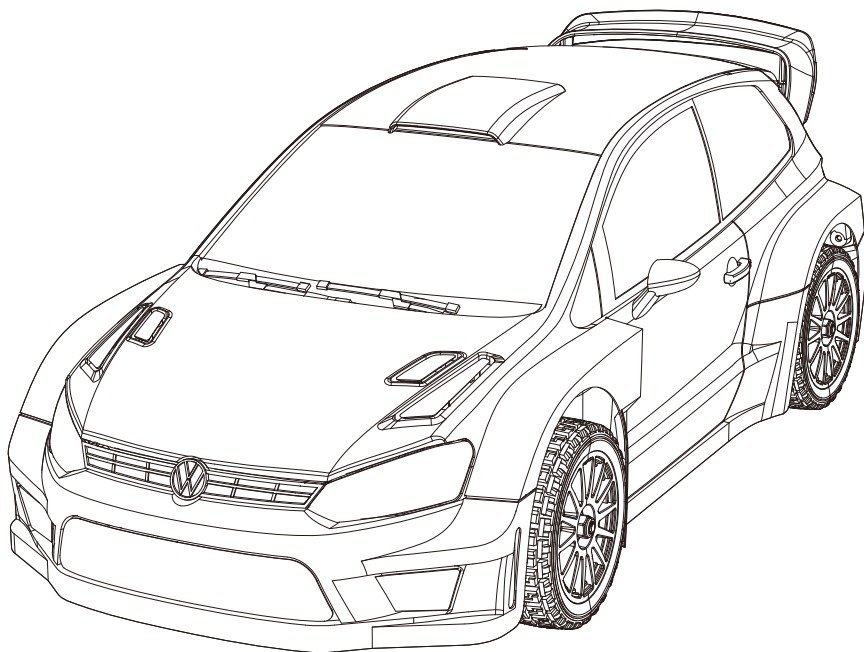


# ***HYPER GO***

## **1:10 RC HIGH SPEED CAR USER MANUAL**



The instruction sheet for this product is just for your reference. We reserve the right to make changes or adjustments on the product without prior notification. Please refer to the official information.

## Warning:

Choking hazard! This product contains small parts. NOT suitable for children under 3 years. Contains electrical components and should be kept dry at all times. Regularly check the battery charger wires, plugs and shell and other components for damage. DO NOT use if any part is damaged.

## Warnings & Cautions

1. Detachable small parts should be stored safely and out of reach of children.
2. If interference is experienced, turn the model off and try it again in a different area.
3. Transmitter will not function correctly if the batteries are low. Please replace the batteries.
4. Please discard old/used batteries in a safe manner. Consider your environment!
5. Please store the remote control model in cool, dry place.
6. DO NOT expose to fire or high temperatures, do not store in moist place.
7. Once the battery get wet, wipe immediately with a soft dry cloth.  
If the battery any deformation, please stop using.
8. If you don't use the model for a long time, please raise the chassis to let the wheels hang in the air.

## Precautions for Battery Use

1. Transmitter uses 4x1.5V "AA" batteries.
2. Please pay attention to correct polarity when replacing batteries.
3. Rechargeable batteries should be charged under adult supervision.
4. Do not mix old and new batteries. Do not mix alkaline, standard (carbon-zinc), or rechargeable batteries.
5. After the battery is exhausted, the model should be removed.
6. Exhaust battery should be safety dispose!
7. DO NOT short circuit any terminals.
8. DO NOT attempt to recharge non rechargeable batteries.
9. Remove batteries from the model when charging.
10. DO NOT put batteries into a fire or into water.
11. The rated input voltage battery charger MUST be suitable for your mains power voltage.
12. During charging it is quite normal for the charger and batteries to heat up.
13. Do not swallow battery!
14. Store only in cool, dry and dark places and should be keep out of the children!
15. When the battery leaks the liquid and let it into you eyes, please right away rinse them and consult an ophthalmologist.

## Safety Precautions

- It is a radio control model, not a toy!
- In order to enjoy running the car, you need to finish assembly before operation. Do routine maintenance work after operation. Replacement parts and option parts are available separately.
- Improper usage with Alkaline cells or rechargeable batteries may damage the electronics for the car or the radio.

In order to operate the car safely. Be sure that you have observed the following points:



Please follow the points as below in order to prevent accident from happening to the car and people.



- Be sure to read thoroughly the manual before you begin. Fresh user should seek advice from people having rich experience in order to assemble the model correctly.



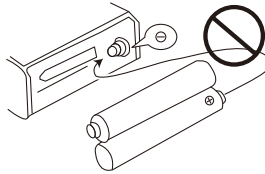
- Cutters, nippers and screwdrivers need careful handling.



- As the product contains small and sharp parts, assemble and store this product only in places out of the reach of children.




- Do not expose this model to high temperature, humidity or direct sunlight.



- Never reverse connection/ disassemble the battery. This may lead to damage and leakage.

- When the model is not in use, always turn off the receiver and transmitter. Further more, disconnect the batteries and remove them from the model and the transmitter. This may be dangerous such as overheat and leakage.

## Operating Your Model Safely

 Do NOT operate the model in the following places and situations. (Non-observance may lead to accident!)

- Operate your model in spacious and safe areas! Do not operate it:
  1. On road!
  2. In places where children and many people gather.
  3. In residential districts and parks!
  4. Do not operate the model on public roads, in crowded places and near infant as it may cause accidents.
  5. Indoors and in limited space! Non-observance may result in personal injury and property damage!
- The car must stop immediately and check for the reasons when it is operating abnormal. As long as the problem is not cleared, do NOT operate it! This may lead to further trouble and unforeseen accidents!
- Always check the radio batteries!  
With weak dry batteries, transmission and reception of the radio would fall off. You may lose control of your model in such condition. This may also cause serious accidents!
- Keep in mind that people around you may also operate a radio control model!  
NEVER share the same frequency with somebody else at the same time! Otherwise, Radio signals will be mixed up and you will lose control to your model. This may lead to accidents.
- Do NOT put fingers or any objects inside rotating and moving parts!
- Right after use, do NOT touch the motor! Danger of burning yourself!

# **FC** FCC PART 15 B Notice: **CAUTION**

Warning: Changes or modifications to this unit not expressly approved by the party responsible for compliance could void the user's authority to operate the equipment.

NOTE: This equipment has been tested and found to comply with the limits for a Class B digital device, pursuant to Part 15 of the FCC Rules. These limits are designed to provide reasonable protection against harmful interference in a residential installation. This equipment generates, uses and can radiate radio frequency energy and, if not installed and used in accordance with the instructions, may cause harmful interference to radio communications.

However, there is no guarantee that interference will not occur in a particular installation. If this equipment does cause harmful interference to radio or television reception, which can be determined by turning the equipment off and on, the user is encouraged to try to correct the interference by one or more of the following measures:

- Reorient or relocate the receiving antenna.
- Increase the separation between the equipment and receiver.
- Connect the equipment into an outlet on a circuit different from that to which the receiver is connected.
- Consult the dealer or an experienced radio/TV technician for help.

This device complies with Part 15 of the FCC Rules. Operation is subject to the following two conditions:

- (1) this device may not cause harmful interference, and
- (2) this device must accept any interference received, including interference that may cause undesired operation.

# 电池使用注意事项

1. 遥控器使用4节1.5V“AA”号电池；
2. 安装或更换电池时请注意极性；
3. 充电电池只能在成人监护下充电；
4. 不可混用新旧或不同型号的电池；
5. 电池电量用尽后，应从模型内取出；
6. 将耗尽电量的电池交给专门的环保部门处理！
7. 接线端不应短路；
8. 非充电电池不可充电；
9. 充电电池充电前应从模型中取出；
10. 请不要将坏的电池、电池组分解或扔到火中、水里，以免发生意外；
11. 充电器的额定输入电压必须与当地的家用电压相符；
12. 在充电过程中，充电器和电池出现微温，属于正常现象；
13. 不可吞咽电池！
14. 将电池放在凉爽、干燥避光及小孩接触不到的地方！
15. 电池漏液而且滴到眼睛里，请马上用大量的清水清洗，然后到附近的医院就医。
16. 遥控车供电电压（DC6-12.6V）输入，支持2-3S锂电池（7.4V-11.1V）供电。

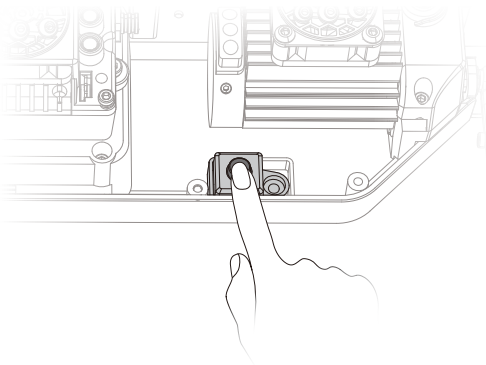
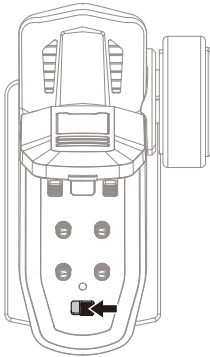
# 安全注意事项

1. 干电池或充电电池的不适当使用，会损害车或无线电的系统。
2. 模型只能使用推荐的充电器，充电器不是模型，可用液体清洗的模型清洁前应与充电器断开，定期检查充电器的电线、插头、外壳和其他部件是否损坏，发现损坏时应停止使用，直至修复完好。
3. 说明书含有重要信息，请予以保留。

# Power Switch 开关

1. Turn on the power switch of the transmitter, the signal indicator light of transmitter flashes.
2. Press the power button of high speed car, the indicator light of high speed car flashes.
3. When the indicator light stays on, the high speed car can be operated to play.

1. 打开遥控器电源开关，遥控器信号指示灯闪烁。
2. 按下高速车电调的电源开关按钮，高速车指示灯闪烁。
3. 当指示灯变为常亮后，便可操控高速车。

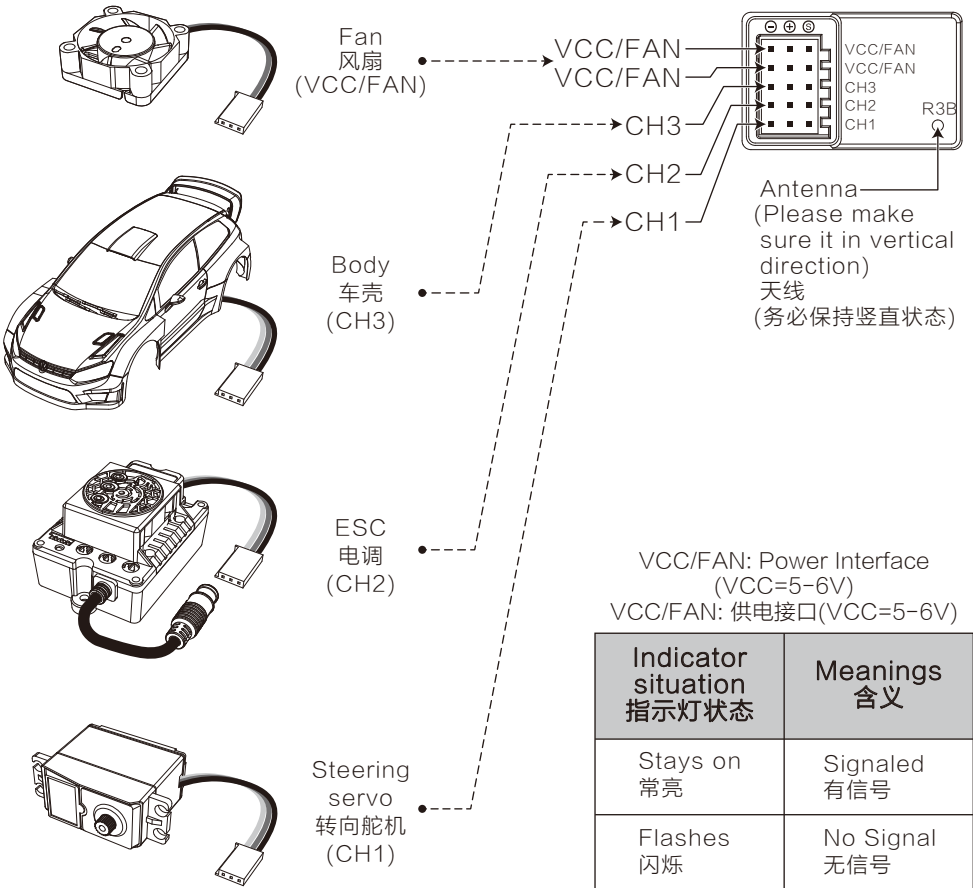




- When turn on the transmitter, please DO NOT touch the throttle and steering. After turn on the transmitter's power, please operate after the indicator light of transmitter staying on.
- Please comply the principle of "turn on the transmitter firstly, then turn on the high speed car".
- In the frequency matching, please make sure there is only one pair of transmitter and high speed car in matching at the same time, otherwise the frequency will match wrongly.

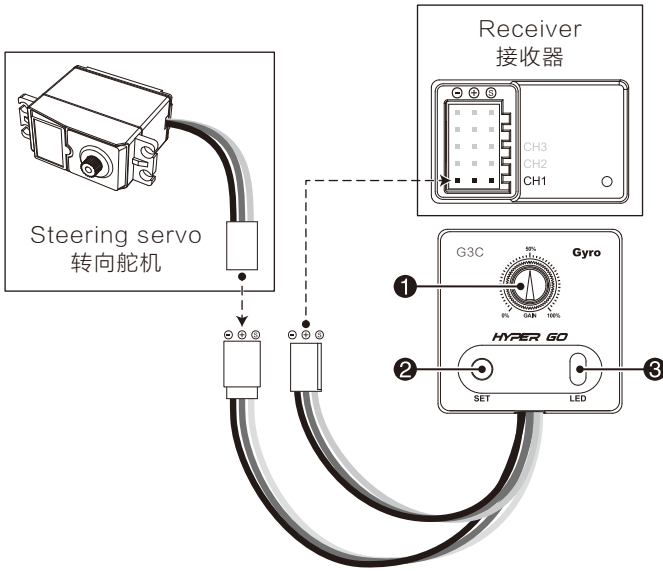
- 当准备开启遥控器时，请勿触动油门和转向。打开遥控器开关，遥控器指示灯点亮后才能进行操作。
- 开机时应遵循“先开启遥控器，再开启高速车”的原则。
- 在同一时刻，请确保对码的遥控器和高速车只有一对，否则会对错遥控器。

## R3B Receiver 接收器



Warning: Please make sure the connection is correct.  
警告：请注意连接是否正确。

# G3C Gyro 陀螺仪



## ① GAIN

Spin the knob from the left to right, the gyro intervention gains value 0-100%.  
旋钮从左到右调整陀螺仪介入增益值0-100%。

## ② SET 设置

### 1. Reverse/Normal Switching 正反向切换


When the power on, long press the 【SET】 3 seconds, the LED from red to green or from the green to red, it means the switch is successful. (Red LED is on for Normal, Green LED is for Reverse)

通电状态下，长按3秒【SET】，LED颜色由红色变为绿色，或者由绿色变为红色，则代表已切换成功。(LED红色常亮为反向，LED绿色为正向。)

 The default direction of servo is Reverse. If not modified, please keep the green constant LED light as normal state.

车辆标配的舵机方向为反向。如未做改装，请保持LED正常状态为绿色常亮。

### 2. EPA (End point adjustment) 行程调节

 Before setting, please make sure the gyro direction is the same as the direction of vehicle steering.

设置前请先确定陀螺仪方向与车辆转向的方向相同。

- Before power on, press and hold 【SET】 , then turn on the vehicle power (please release 【SET】 ASAP after turning on the power, if more than 5 seconds, it will restore the factory setting), LED red flashing, it enters into the EPA setting.
- Rotate the remote control rudder, turn the rudder to the desired position (to the left or right), keep the current state, short press 【SET】 then the green LED flashing, it completes the single-side EPA setting.

c. Rotate the remote control direction rudder to turn the servo to the desired position in another direction and keep the current state, short press 【SET】 and the red and green LEDs will flash (about 2 seconds). When the LEDs will be on, the EPA setting is finished.

\*Restore factory setting: Before power on, press the 【SET】 , then hold for 5 seconds after power on, the red LED and green LED will flash at the same time, then return to default setting (default 1100us-1900us).

a. 通电前，按住【SET】，然后开启车辆电源（开启电源后请松开【SET】，如超过5秒，则会恢复出厂设置），LED红色快闪进入EPA设置。

b. 旋转遥控器方向舵，将舵机转到所需要的位置上（可向左边或右边），保持当前状态，短按“SET”后绿色LED快闪，完成单侧EPA设置。

c. 旋转遥控器方向舵使舵机转到另一个方向所需要的位置并保持当前状态，短按“SET”后红色与绿色LED快闪（约2秒）。LED变为常亮状态，EPA设置完成。

\*恢复出厂设置：通电前，按住【SET】通电后持续5秒，红色LED与绿色LED同时快闪后恢复成默认设置（默认1100us-1900us）。

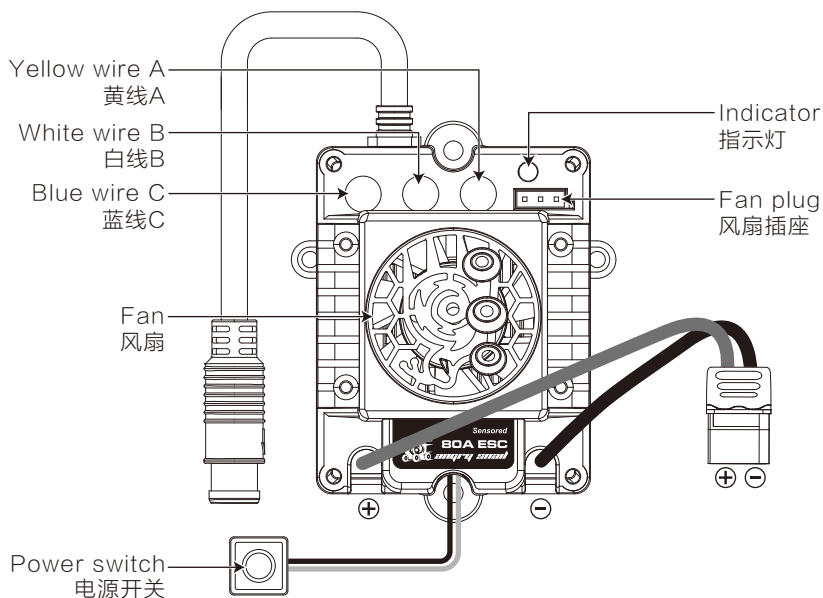
### ③LED status 灯状态

LED	Status 状态
Power on fast flashing 开机快闪	Gyro initialization (time about 2 seconds). 陀螺仪初始化（时间约为2秒）
Slow flashing 慢闪	No Transmitter signal. 无遥控信号
Red on 红色常亮	Working, gyro direction is Reverse. 正常工作中，陀螺仪方向为反向
Green on 绿色常亮	Working, gyro direction is Normal. 正常工作中，陀螺仪方向为正向
Fast Flashing 快闪	In EPA Setting. EPA行程设置状态



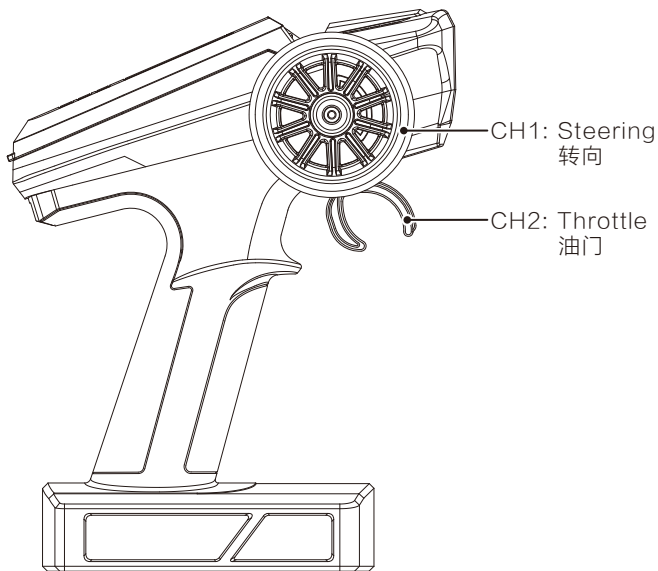
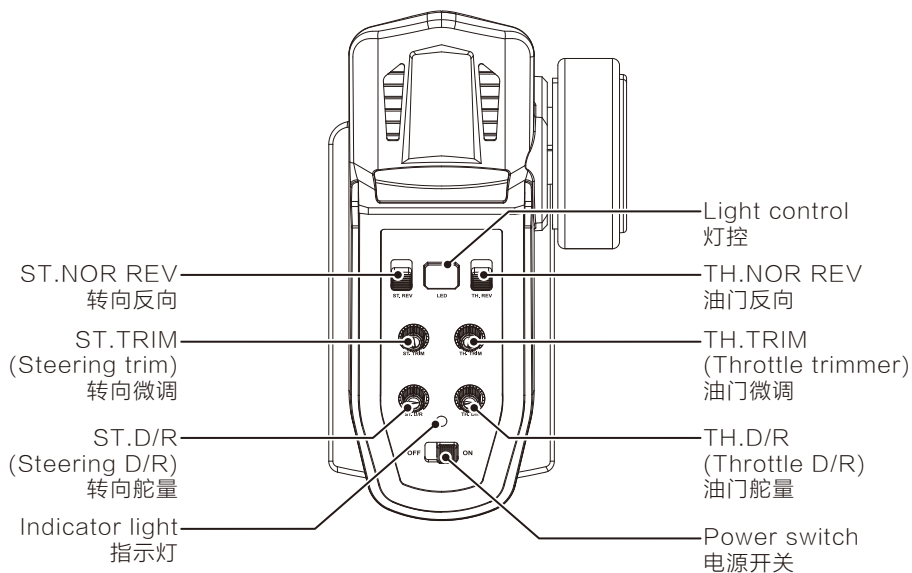
# E80SDH ESC 电调

⚠ Please Do Not forcible/reversely insert all sockets.  
所有插座请勿强行反插。



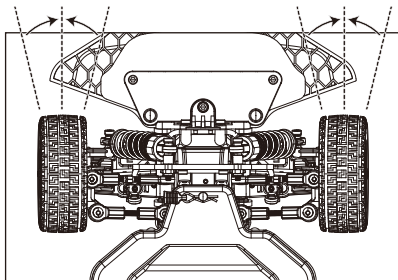
Indicator light situation 指示灯状态	Meanings 含义
Stays on 常亮	Signaled 有信号
Flash quickly 快闪	a. No signal 无信号 b. Pull the trigger 扣动扳机
Flash slowly 慢闪	Low voltage 低电压
Flash twice 闪两下	Over heat protection 过热保护
Off 熄灭	Stuck protection 堵转保护

# T3D Transmitter 遥控器



### ①ST.TRIM (Steering servo trimmer 转向舵机微调)

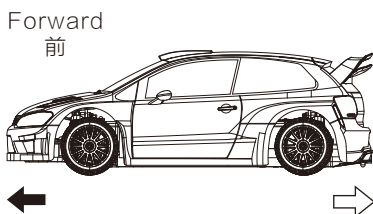
If the car cannot go straightly during driving, it can be adjusted through the ST.TRIM.  
 车辆行驶过程中如无法直线行驶，可通过此微调进行调整。



### ②TH.TRIM (Throttle trimmer 油门中位微调)

If the car can't stop when the TH in the middle place, you can adjust the button to stop the car.

如TH（油门）在中位状态下，车辆无法正常停止，可通过此微调进行调节，使车辆停止。



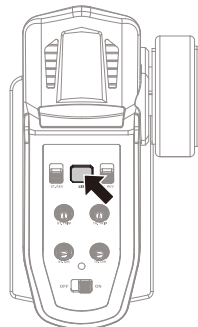
### ③Indicator light 指示灯

Stays on 常亮	Working well 正常
Flash quickly 快闪	Frequency mating 对码状态
Flash slowly 慢闪	Low battery of transmitter 遥控器电池电量低

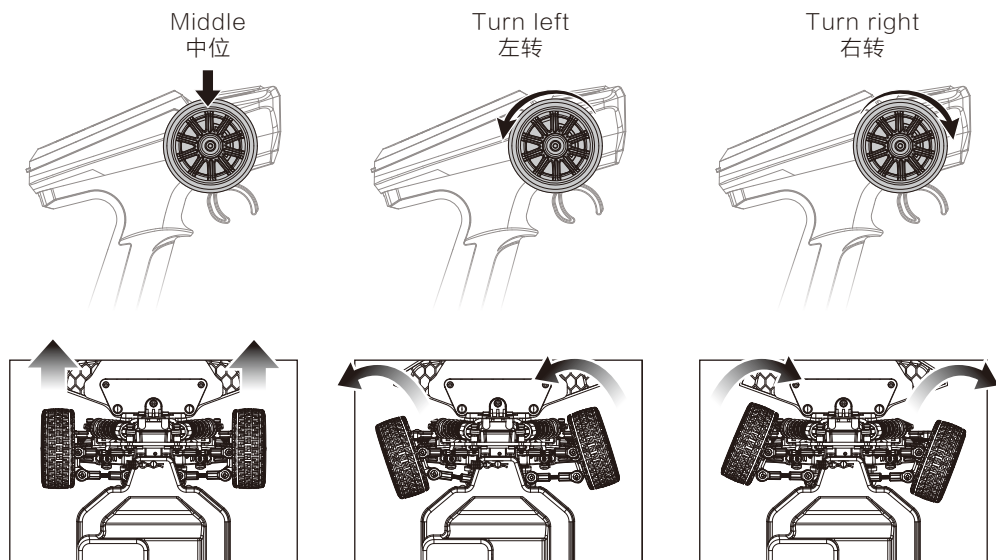
### ④Fn(CH3 Light control) 灯控

Short Press the “□” button to turn on/off the light of high speed car.

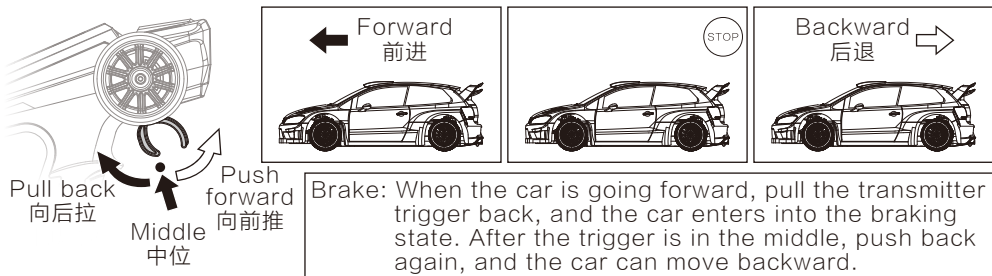
短按“□”按键时，控制高速车灯光开启或关闭。



## ⑤CH1: ST (Steering 转向)



## ⑥CH2: TH (Throttle 油门)



刹车：当车辆向前行驶时，遥控器推动后退，车辆进入刹车状态，需油门归中后，再次推动后退，车辆才能后退。

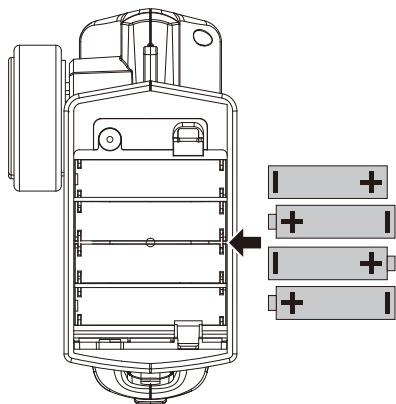
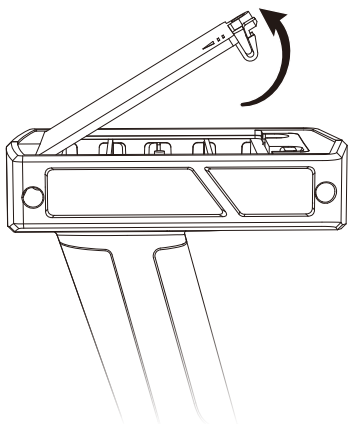
\*When the car is in reverse situation, it does not the brake function.  
车辆处于后退状态下，无刹车功能。

# Install the Transmitter's Battery

## 遥控器安装电池

Open the transmitter's battery cover, insert 4 AA batteries according to the indicated positive and negative direction, close the battery cover.

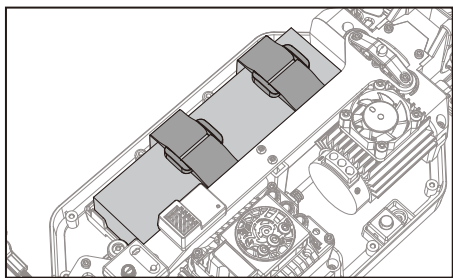
将遥控器电池盖打开，按照遥控器指示的正负极，正确装入4节AA电池，再重新盖上电池盖。



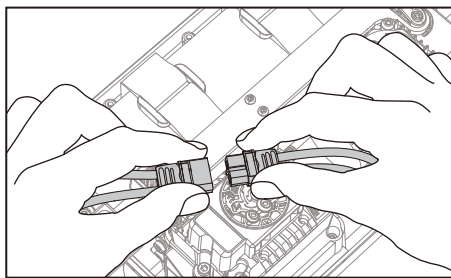
# Install the Battery 安装电池

①Tighten the battery with the fixing tape; 将固定带绑紧电池;

②Connect the receiver plug to the battery. 将接收器插头连接电池。



①

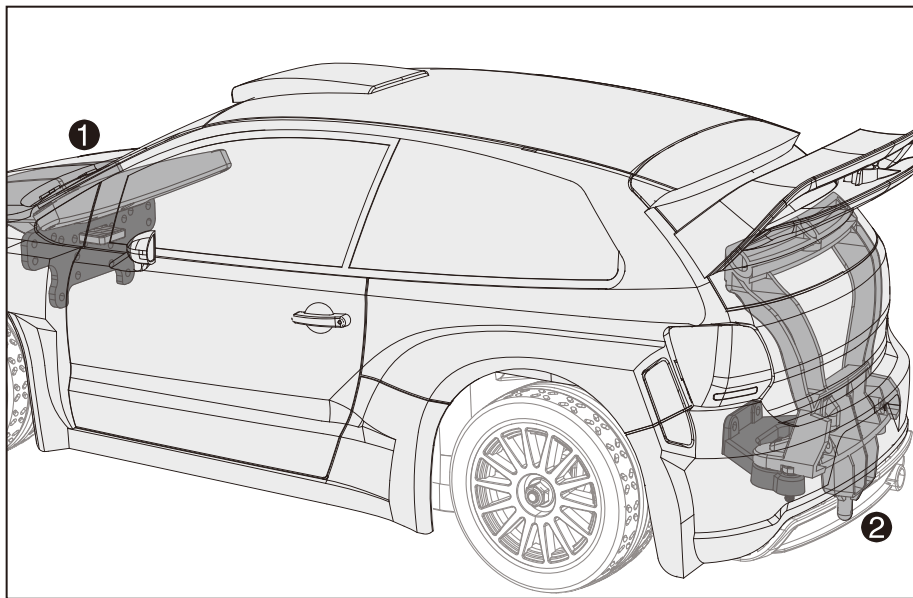


②

# Install Car Shell 安装车壳

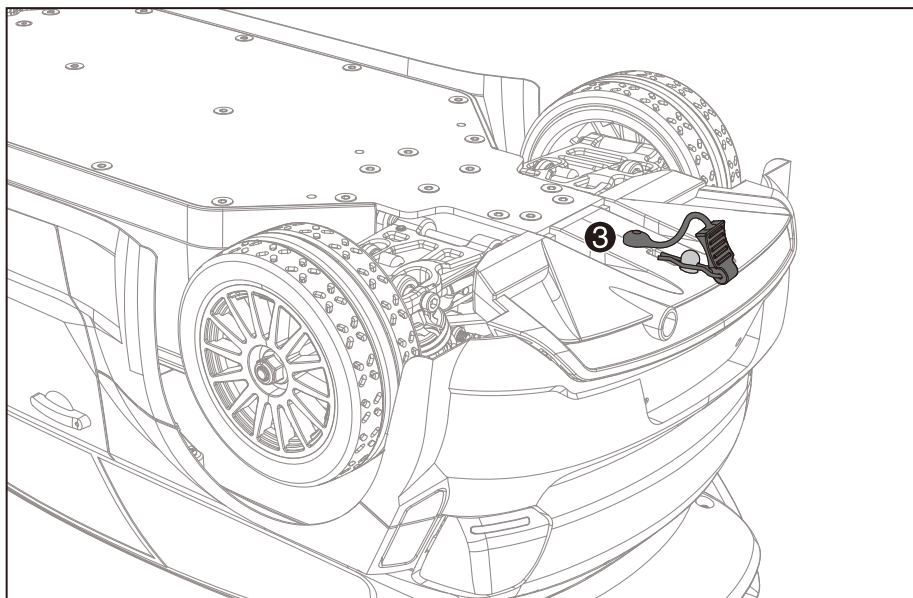
1. Insert the shell into the front shock tower ①, then press it down vertically onto the magnet ② of the rear bumper assembly.

将车壳插入前避震架①，然后垂直下压到后防撞组件磁铁上②。



2. Insert the clips into the holes to lock the car body ③.


将车壳扣插入锁紧车壳③。




## Front Swing Set 前摆臂组件

### Screw 螺丝:


HTM3010 Ø3x10mm 1PCS

Screws 螺丝-----

HTWM2560 Ø2.5x6mm 1PCS

Screws 螺丝-----

HWM3060 Ø3x6mm 1PCS

Screws 螺丝-----

### 铜套:

T55404 1PCS

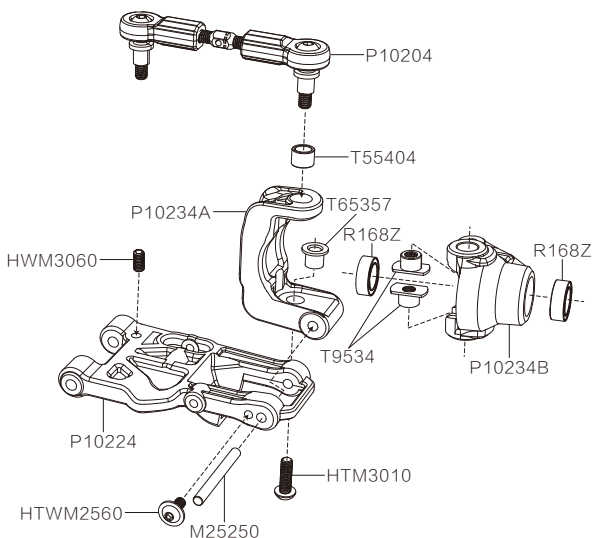
Bushing 轴套-----

T65357 1PCS

Bushing 轴套-----

T9534 2PCS

Bushing 轴套-----



### Bearing 轴承:

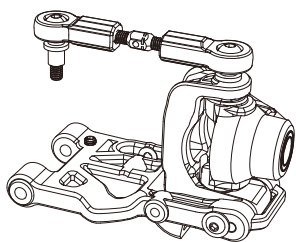
R168Z 2PCS

Bearing 轴承-----

### Iron shaft 铁轴:

M25250 1PCS

Shaft 光轴-----




## Rear Swing Set 后摆臂组件

### Screw 螺丝:


HTM3016 Ø3x16mm 1PCS

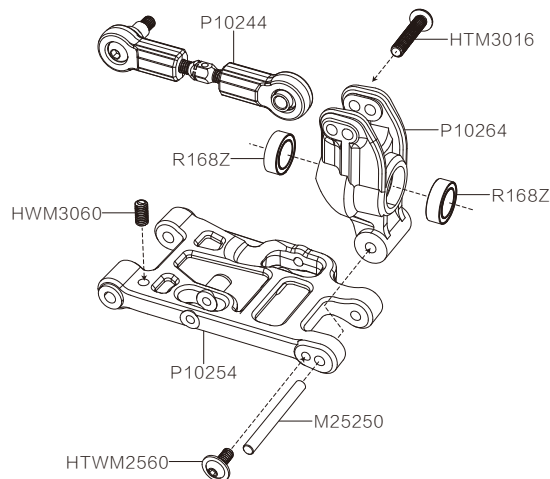
Screws 螺丝-----

HTWM2560 Ø2.5x6mm 1PCS

Screws 螺丝-----

HWM3060 Ø3x6mm 1PCS

Screws 螺丝-----



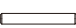
### Bearing 轴承:

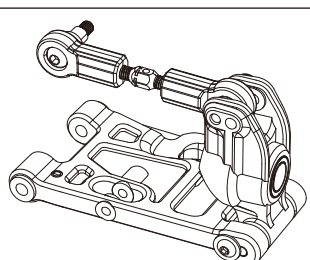
R168Z 2PCS

Bearing 轴承-----

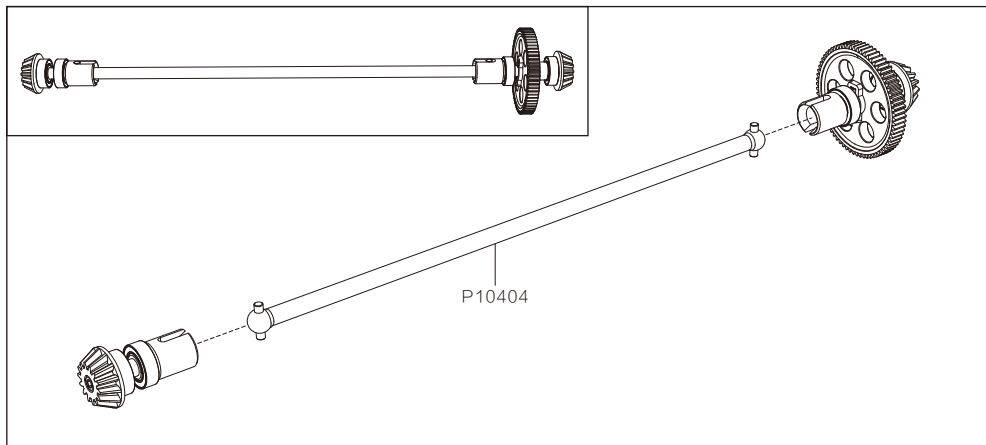
### Iron shaft 铁轴:

M25250 1PCS

Shaft 光轴-----



# Metal Gears Main Driving Set 全金属主传动组件




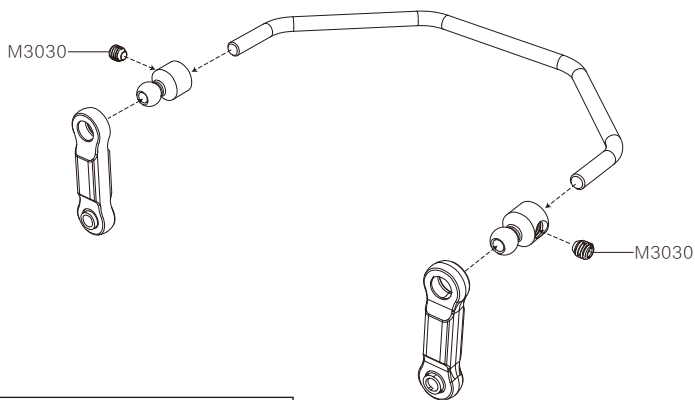
# Front/Rear Sway Bar 前/后防倾杆

Screw 螺丝:

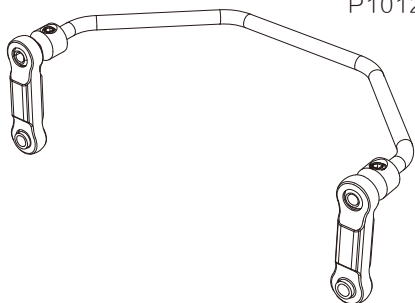
M3030       $\varnothing 3 \times 3 \text{mm}$       2PCS

Screws

内六角机丝螺丝-----



P10124



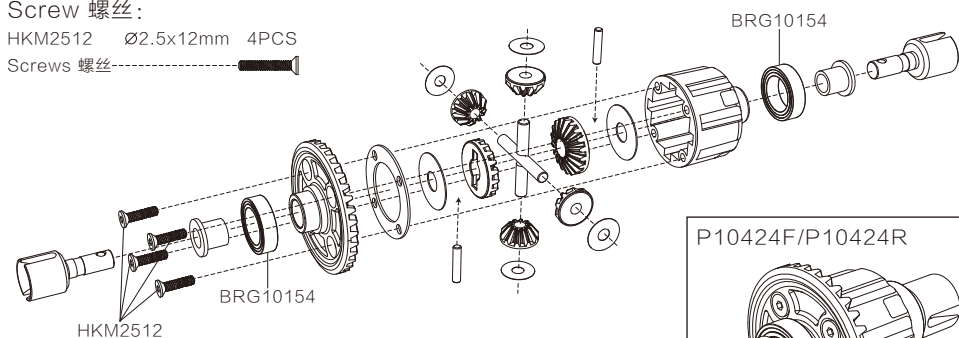


## Front/Rear Differential 前/后差速器

Screw 螺丝:

HKM2512 Ø2.5x12mm 4PCS

Screws 螺丝-----



Front 前: P10424F

Silicone Oil 硅油: 100000CS

Rear 后: P10424R

Silicone Oil 硅油: 200000CS

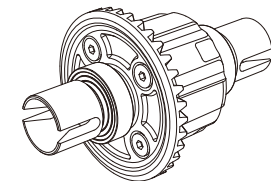
Bearing 轴承:

BRG10154

2PCS

Bearing  
轴承-----

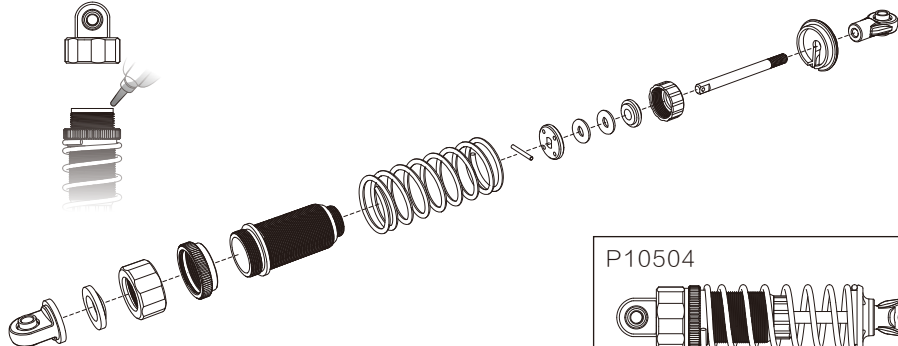
P10424F/P10424R



## Oil Filled Shock 油压避震

500cs Silicone Oil

硅油



P10504

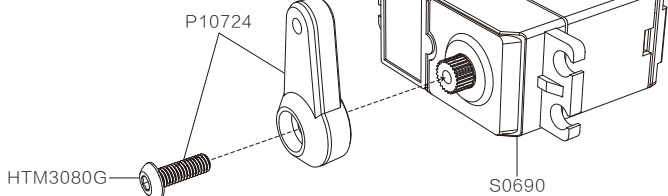
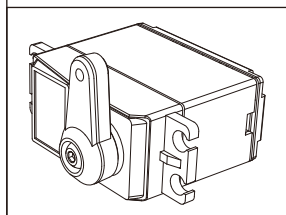


## Servo Assembly 舵机组件

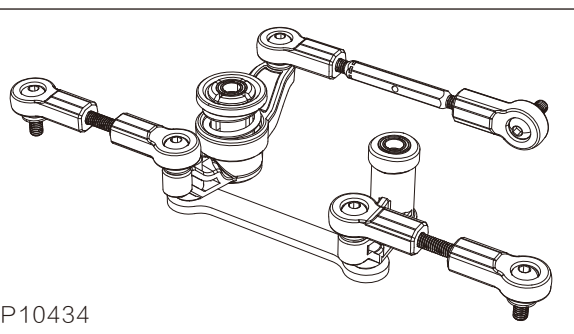
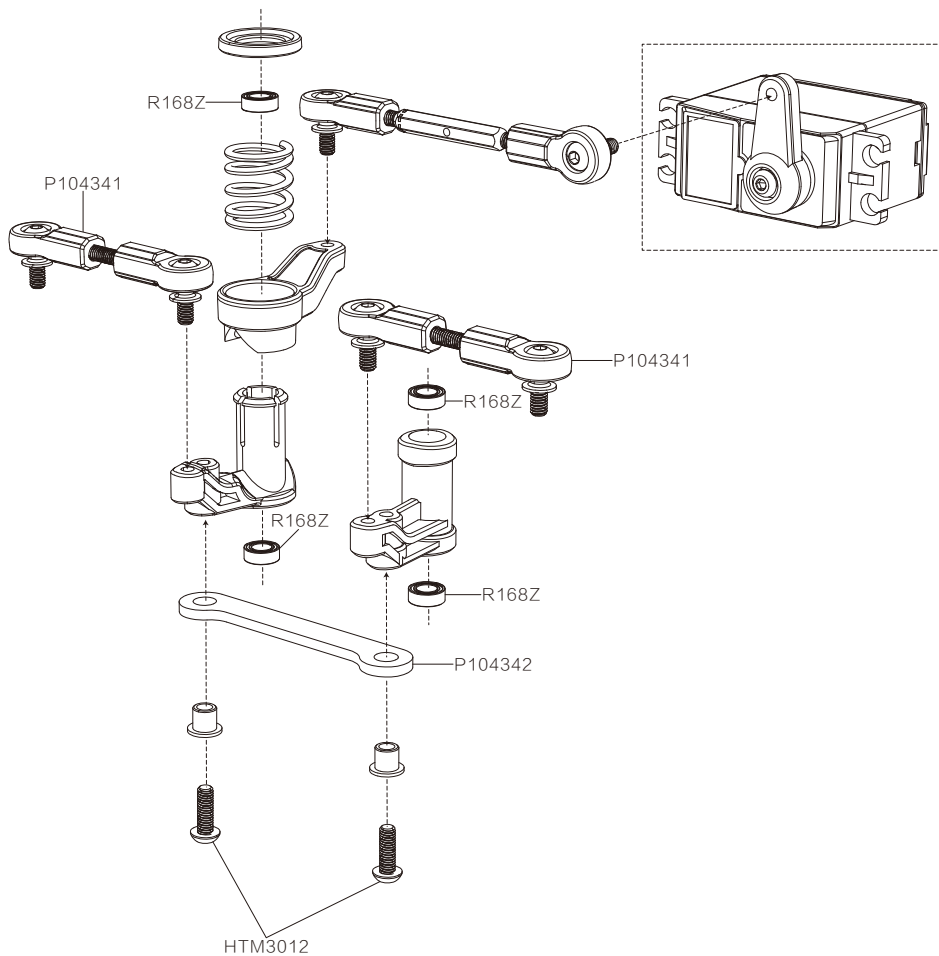
Screw 螺丝:

HTM3080G Ø3x8mm 1PCS

Screws 螺丝-----




# Steering Assembly 转向传动组件



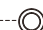
Screw 螺丝:

HTM3012  $\varnothing 3 \times 12 \text{mm}$  2PCS

Screws 螺丝 ----- 

Bearing 轴承:

R168Z 2PCS

Bearing 轴承 ----- 


# Motor Assembly 电机组件

## Screw 螺丝:

HTM3015  $\varnothing 3 \times 15 \text{mm}$  4PCS

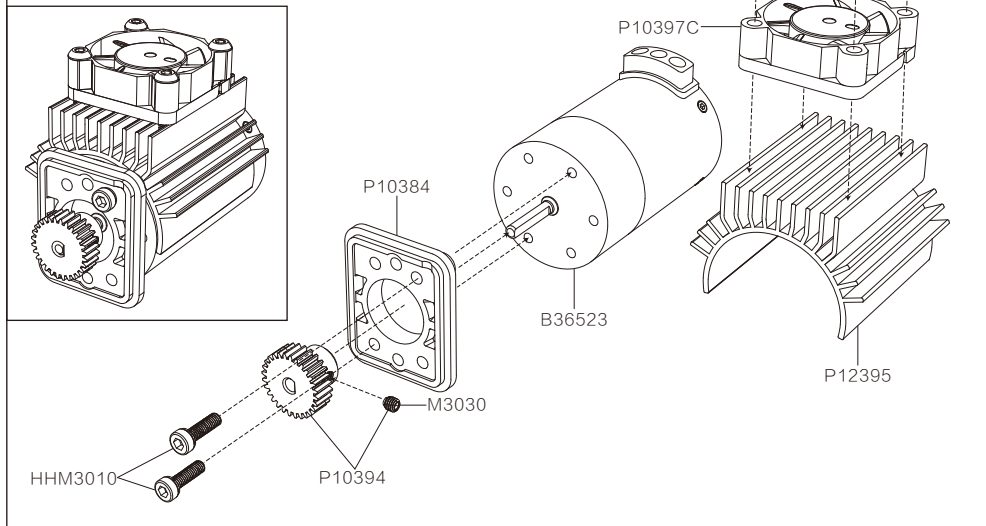
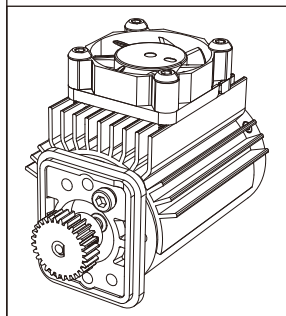
Screws 螺丝-----

HHM3010  $\varnothing 3 \times 10 \text{mm}$  2PCS

Screws 螺丝-----

M3030  $\varnothing 3 \times 3 \text{mm}$  1PCS

Screws 内六角机丝螺丝-----



# Rear Bumper Assembly 后防撞组件

## Screw 螺丝:

HHM3080  $\varnothing 3 \times 8 \text{mm}$  3PCS

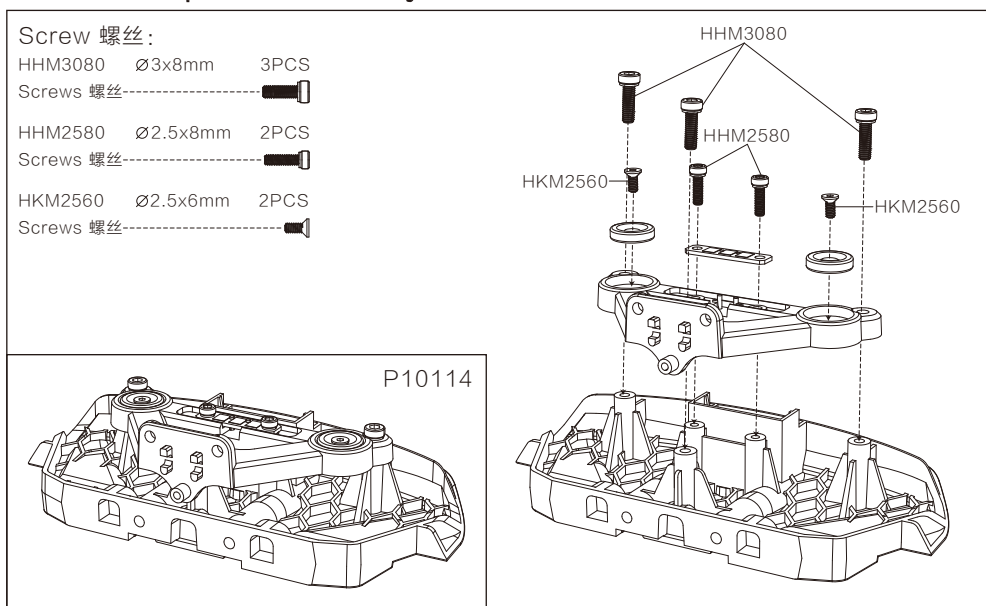
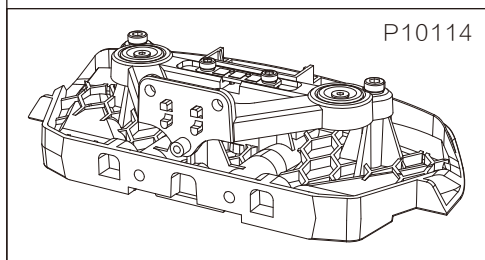
Screws 螺丝-----

HHM2580  $\varnothing 2.5 \times 8 \text{mm}$  2PCS

Screws 螺丝-----

HKM2560  $\varnothing 2.5 \times 6 \text{mm}$  2PCS

Screws 螺丝-----

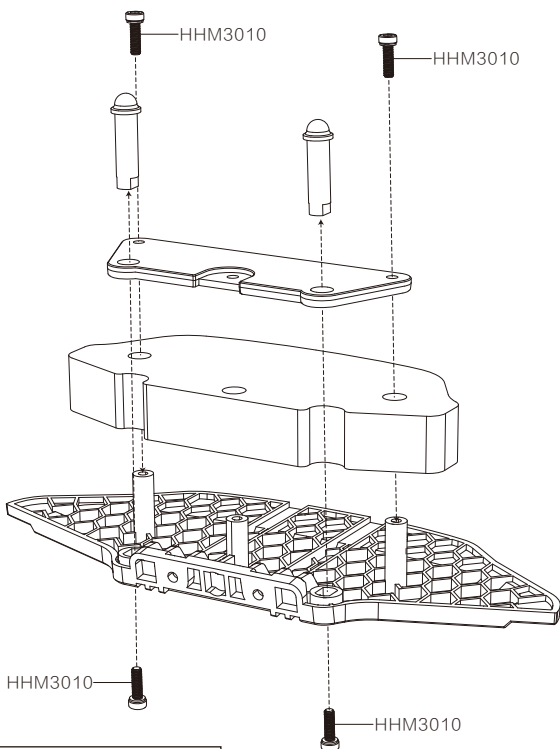


# Front Bumper Assembly 前防撞组件

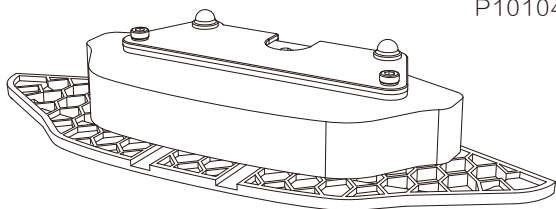
Screw 螺丝:

HHM3010 Ø3x10mm 4PCS

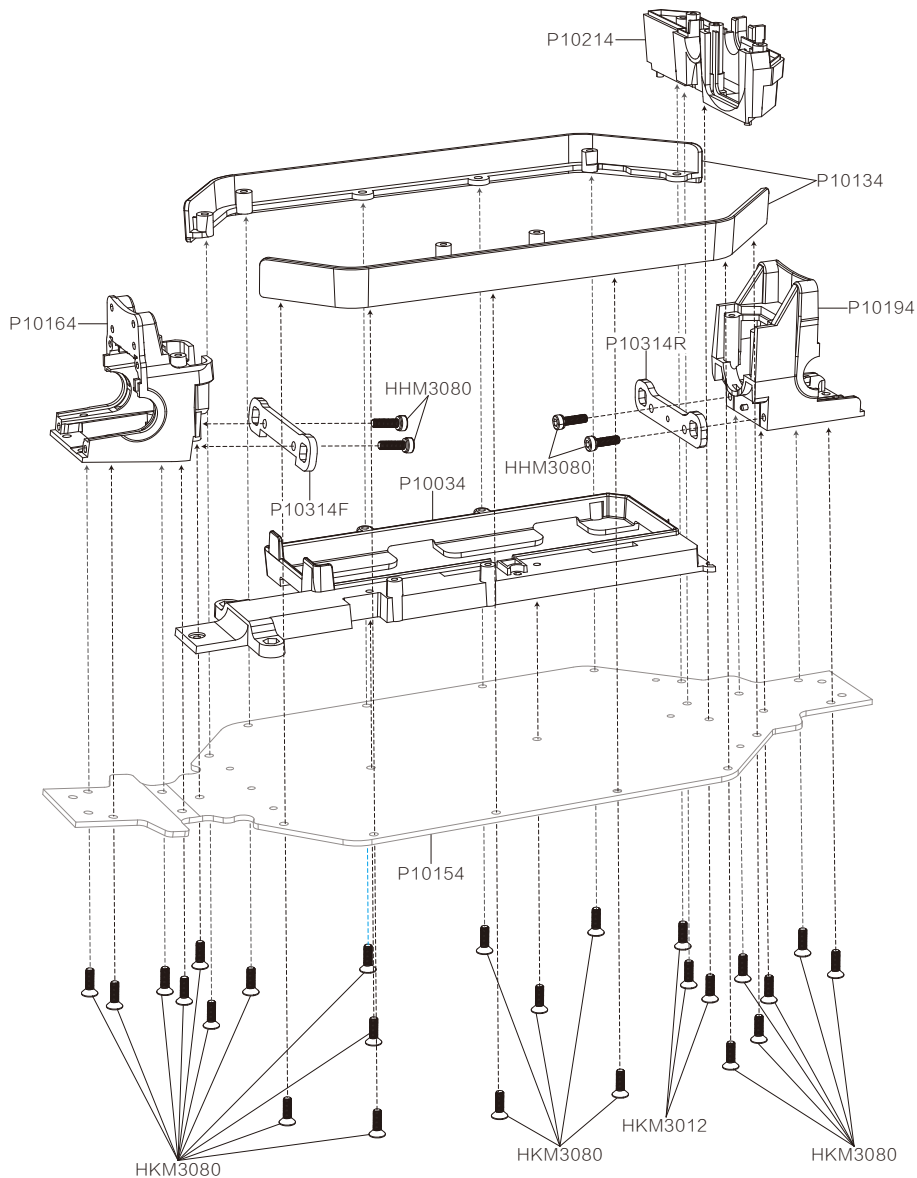
Screws 螺丝



P10104



# High Speed Car Assemble 高速车总装



## Screw 螺丝:

HKM3080  $\varnothing 3 \times 8 \text{mm}$  22PCS

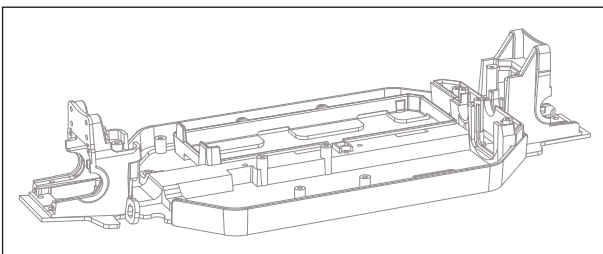
Screws 螺丝

HMM3080  $\varnothing 3 \times 8 \text{mm}$  4PCS

Screws 螺丝

HKM3012  $\varnothing 3 \times 12 \text{mm}$  3PCS

Screws 螺丝



# High Speed Car Assemble 高速车总装

## Screw 螺丝:

HHM2512  $\varnothing 2.5 \times 12 \text{mm}$  10PCS

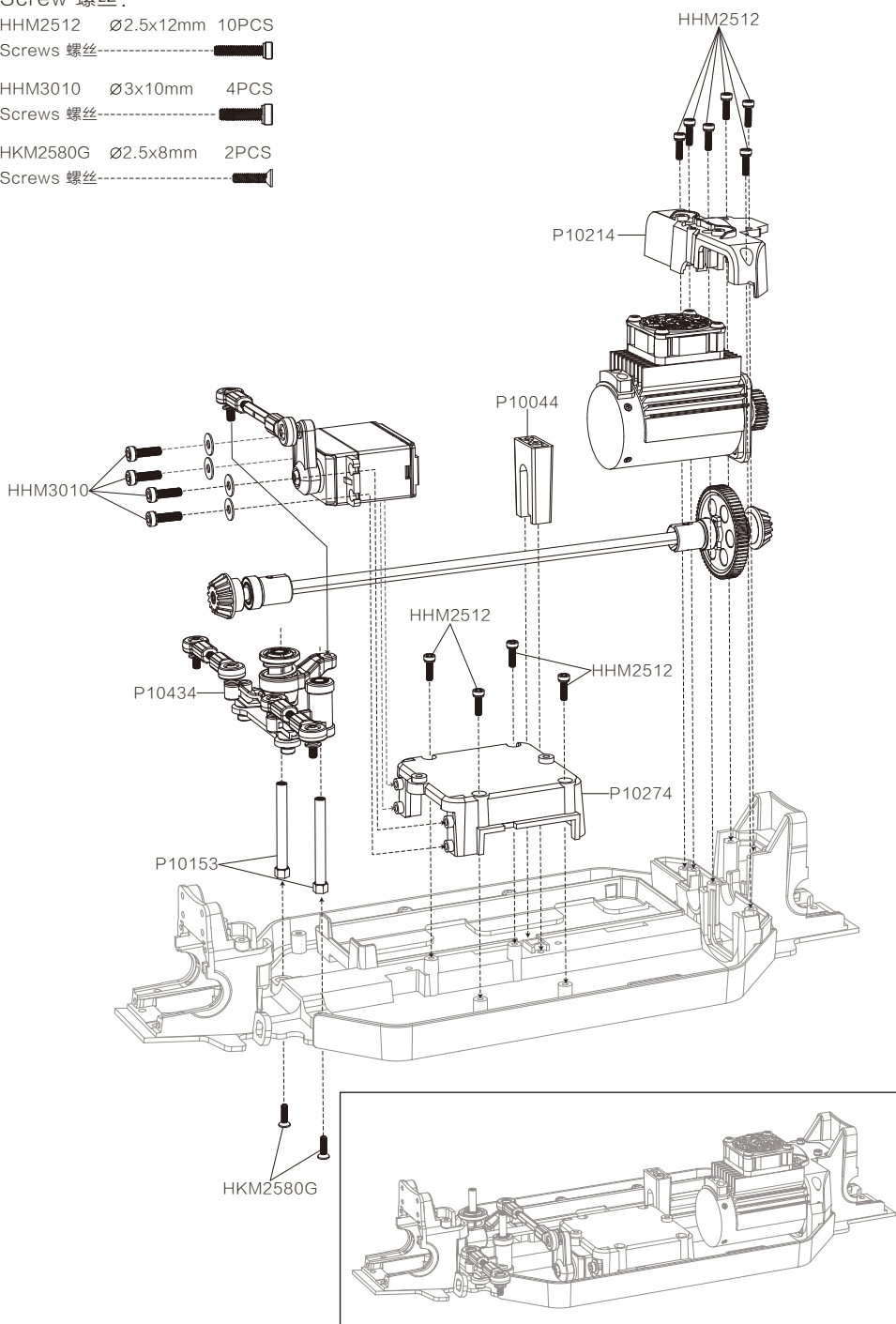
Screws 螺丝

HHM3010  $\varnothing 3 \times 10 \text{mm}$  4PCS

Screws 螺丝

HKM2580G  $\varnothing 2.5 \times 8 \text{mm}$  2PCS

Screws 螺丝



# High Speed Car Assemble 高速车总装

## Screw 螺丝:

HHM2512 Ø2.5x12mm 6PCS

Screws 螺丝

HHM2510 Ø2.5x10mm 2PCS

Screws 螺丝

HHM2580G Ø2.5x8mm 2PCS

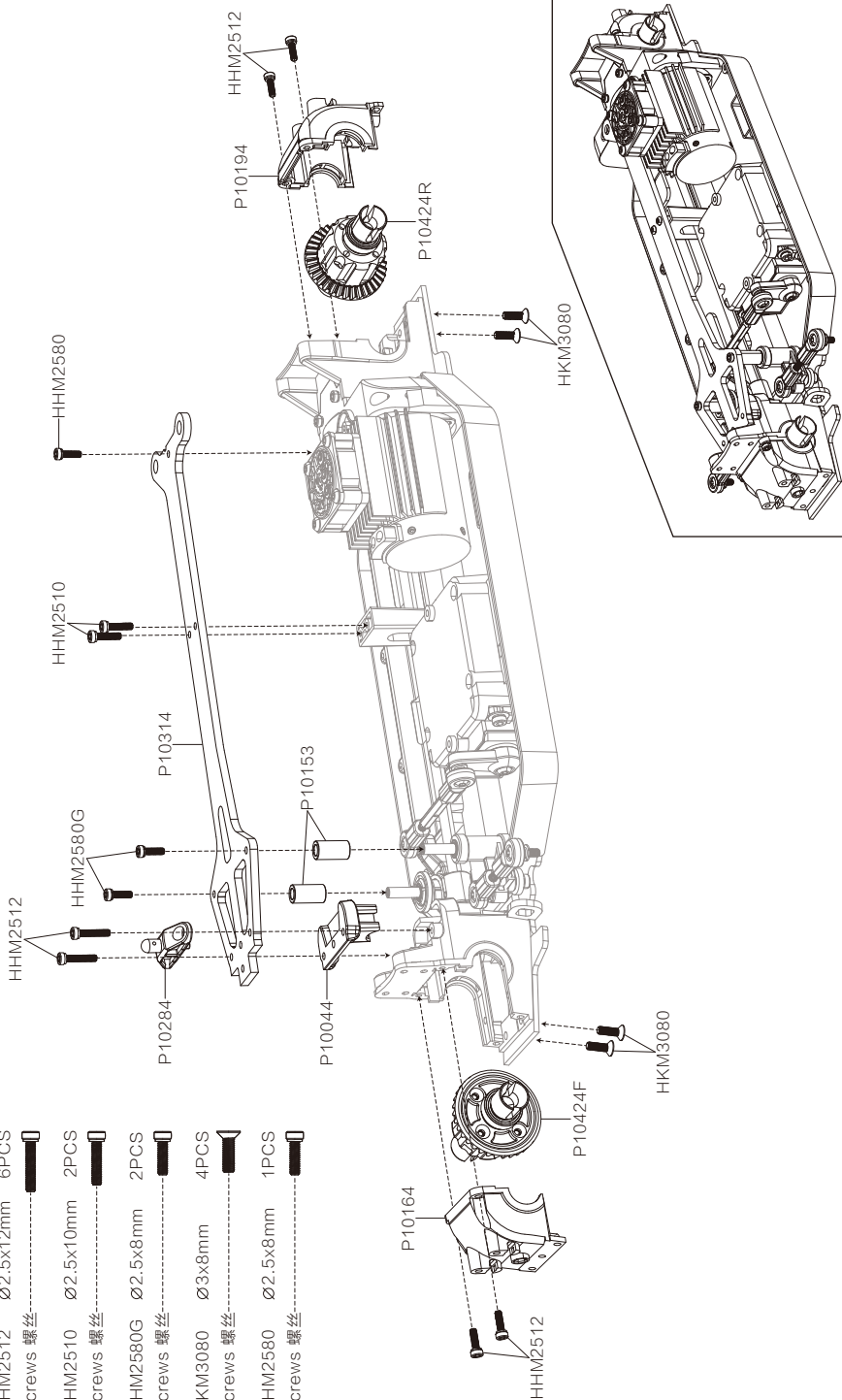
Screws 螺丝

HKM3080 Ø3x8mm 4PCS

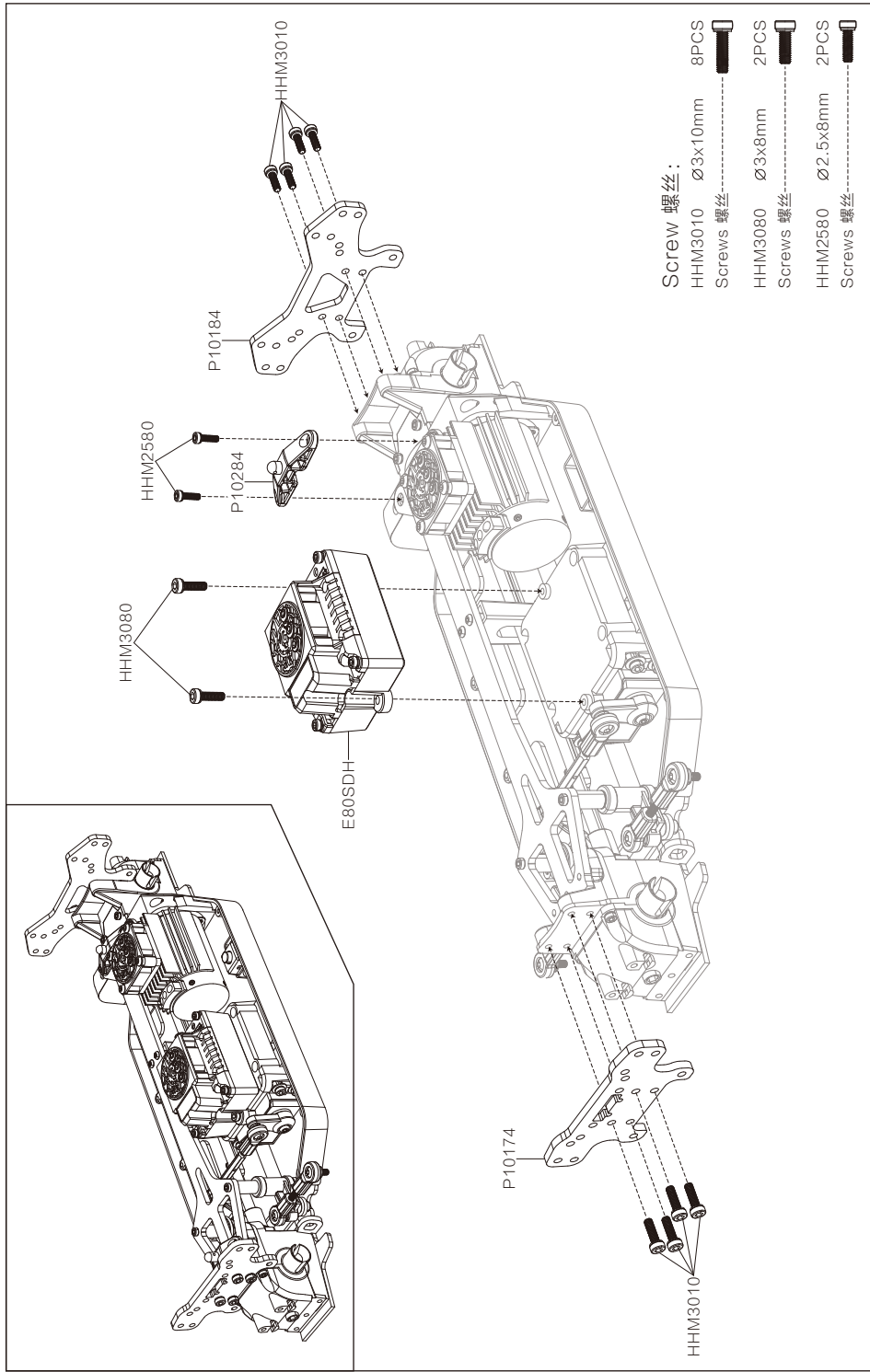
Screws 螺丝

HHM2580 Ø2.5x8mm 1PCS

Screws 螺丝

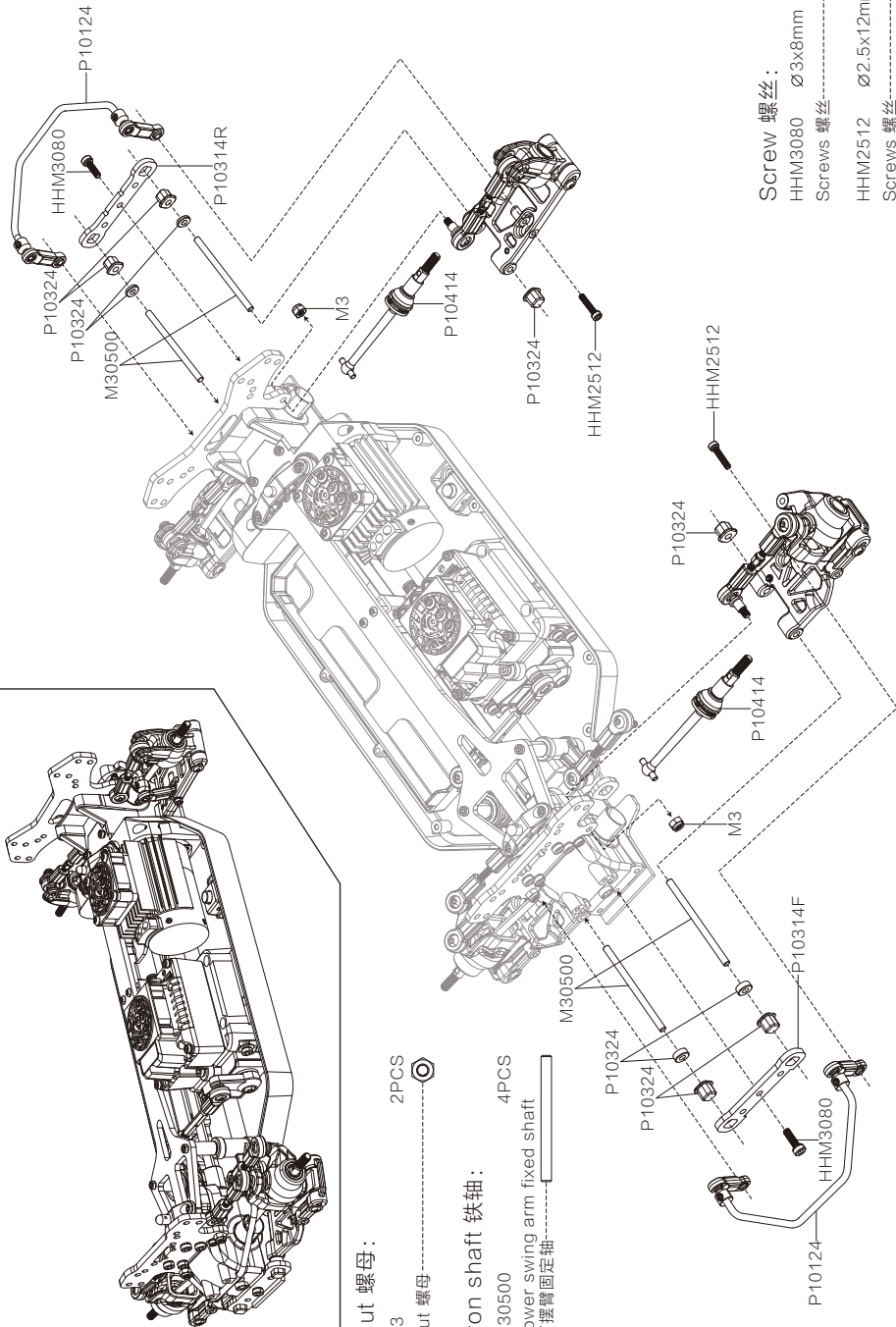
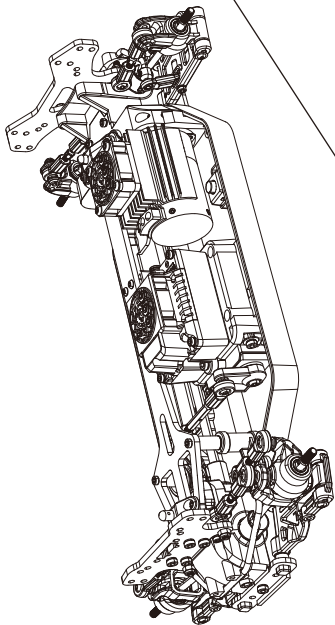


# High Speed Car Assemble 高速车总装





# High Speed Car Assemble 高速车总装



Nut 螺母:

M3 2PCS

Nut 螺母

Iron shaft 铁轴:

M30500 4PCS

Lower swing arm fixed shaft

下摆臂固定轴

Screw 螺丝:

HHM3080 Ø3x8mm 2PCS

Screws 螺丝

HHM2512 Ø2.5x12mm 2PCS

Screws 螺丝

# High Speed Car Assemble 高速车总装

## Screw 螺丝:

HHM3022 Ø3x22mm 2PCS

Screws 螺丝

HHM3014 Ø3x14mm 2PCS

Screws 螺丝

HHM3010 Ø3x10mm 2PCS

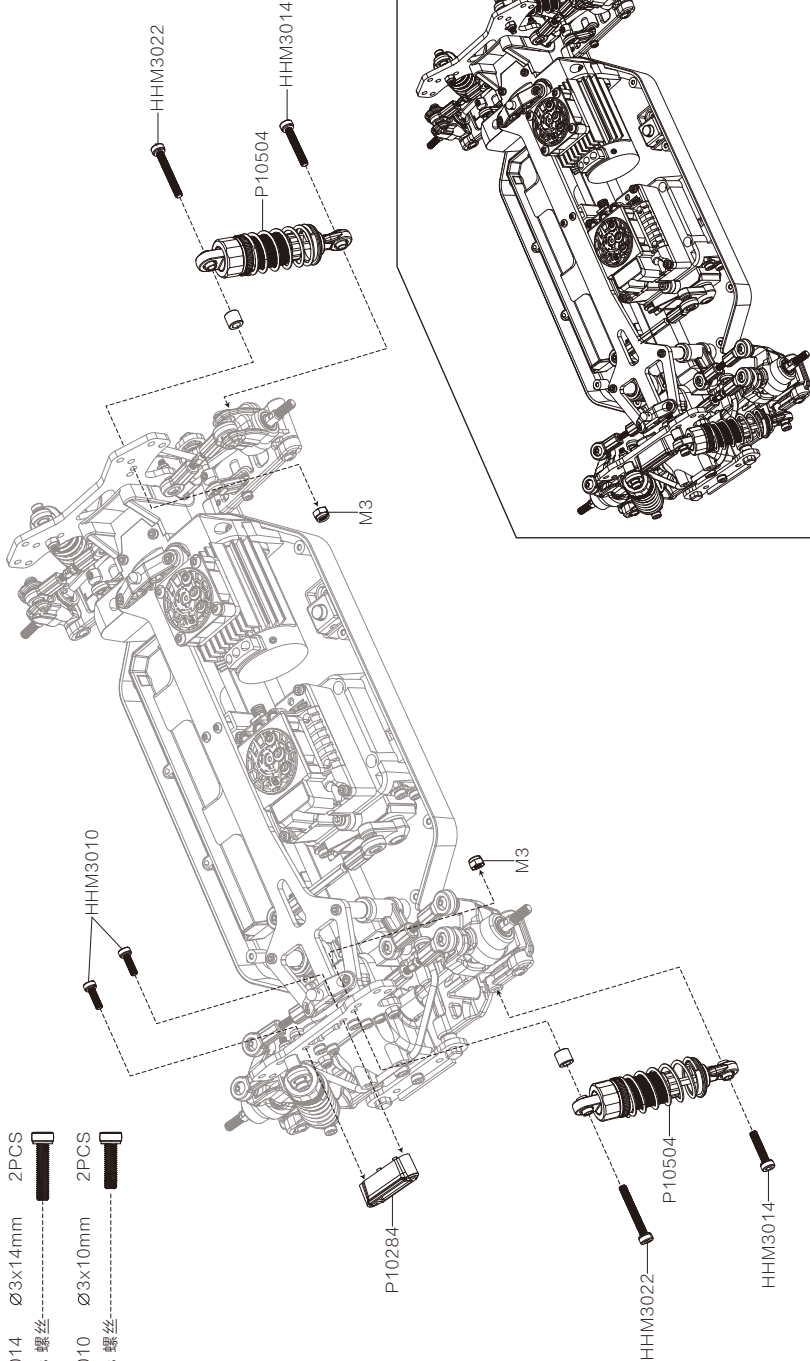
Screws 螺丝

## Nut 螺母:

M3

2PCS

Nut 螺母



# High Speed Car Assemble 高速车总装

## Screw 螺丝:

HHM3016  $\varnothing 3 \times 16 \text{mm}$  4PCS

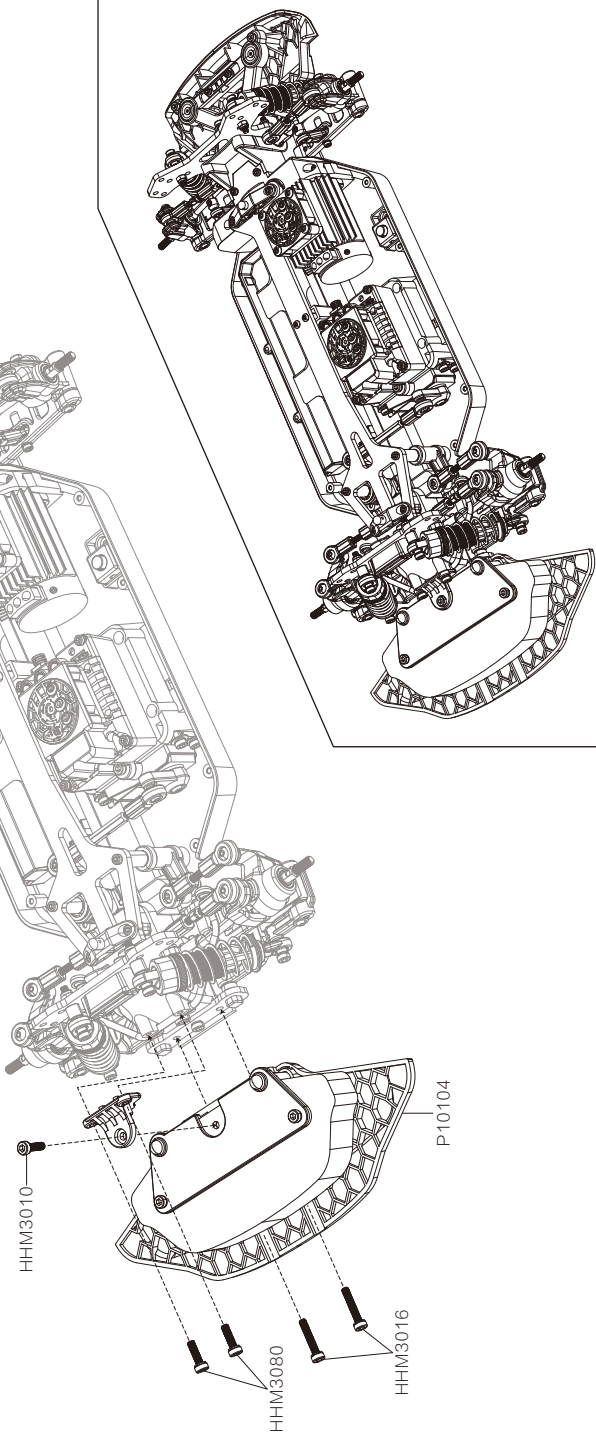
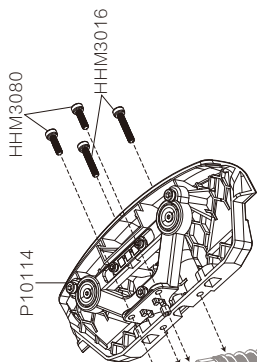
Screws 螺丝

HHM3080  $\varnothing 3 \times 8 \text{mm}$  4PCS

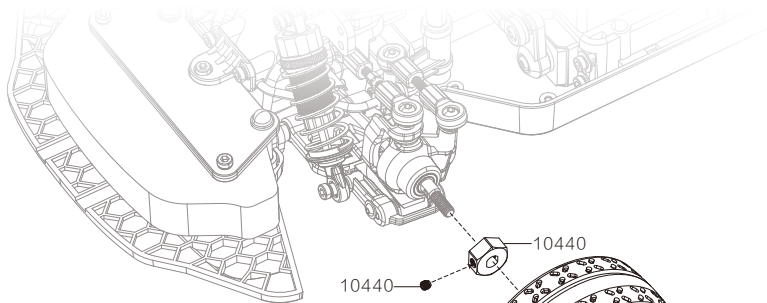
Screws 螺丝

HHM3010  $\varnothing 3 \times 10 \text{mm}$  1PCS

Screws 螺丝



# High Speed Car Assemble 高速车总装



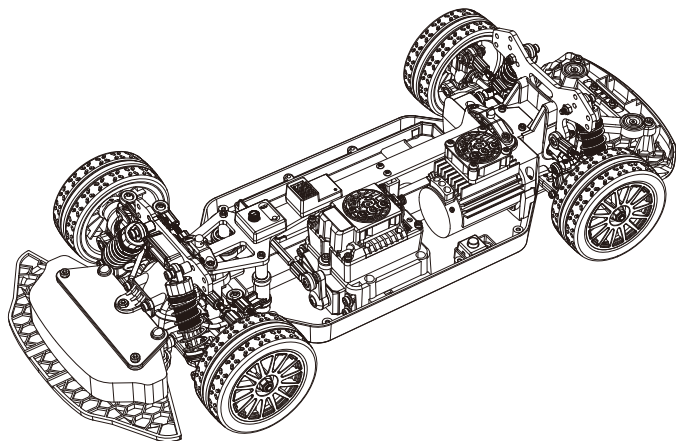
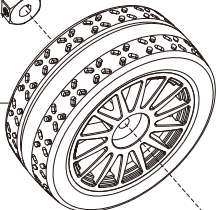
## Nut 螺母:

M40 1PCS ( 4PCS )

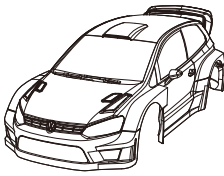
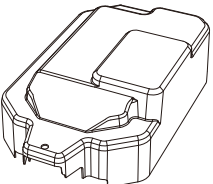
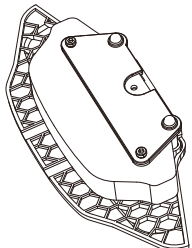
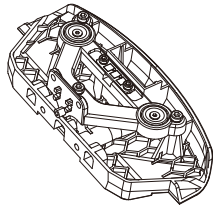
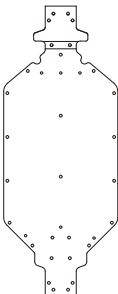
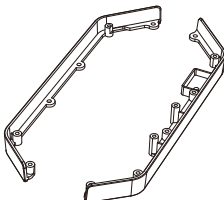
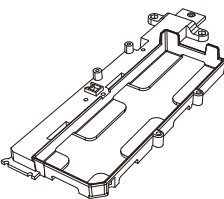
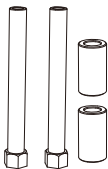
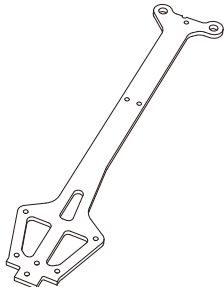
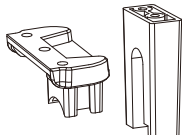
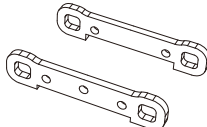
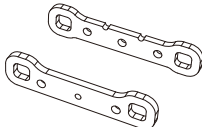
M4 Wheel lock nut

M4螺母

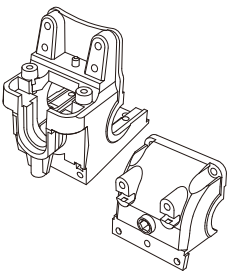
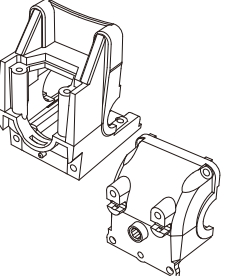
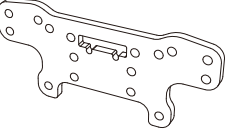
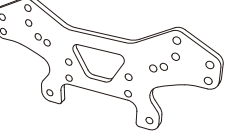
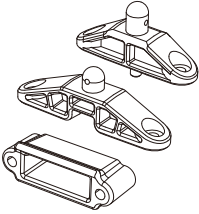
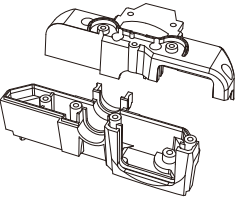
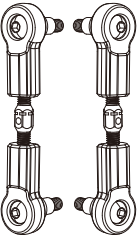
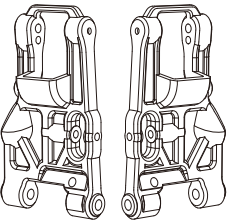
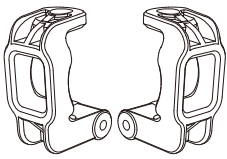
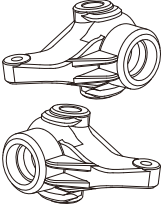
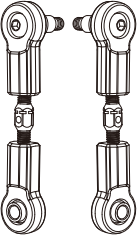
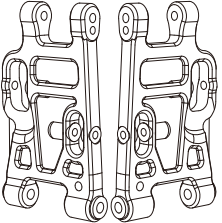
P103004B/  
P103004



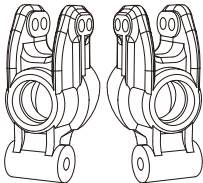
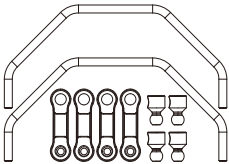
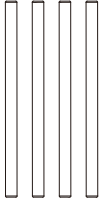
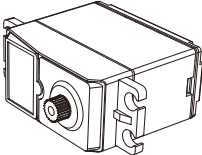
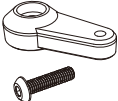
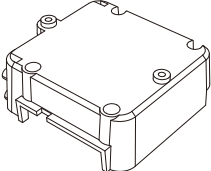
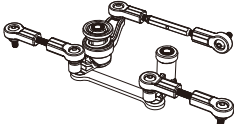
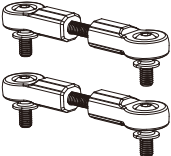

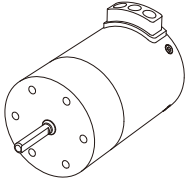

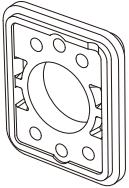
# Spare Parts 配件表

			
P10014	P10024	P10104	P10114
Body 车壳组件	Dust Proof Cover 防尘罩	Front Bumper Assembly 前防撞组件	Rear Bumper Assembly 后防撞组件
			
P10154	P10134	P10034	P10153
Chassis 底盘	Chassis Parts 底盘配件	Battery Clip 电池固定卡座	Servo Mount 舵机支架
			
P10314	P10044	P10314F	P10314R
Center Brace Bar 中支撑杆	Accessory 支撑板配件	Front Stiffener 前加强件	Rear Stiffener 后加强件

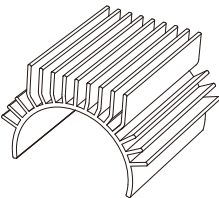
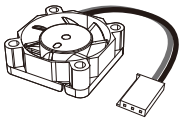

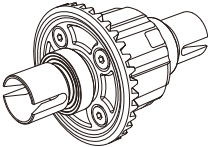
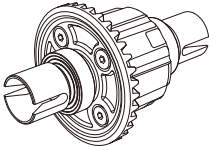
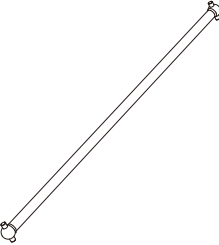
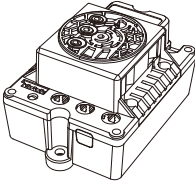
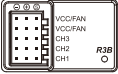
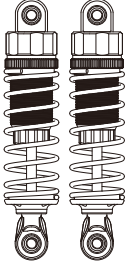
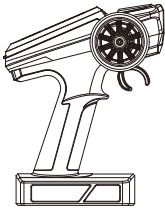
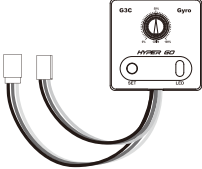
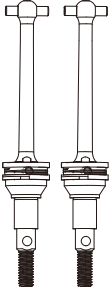
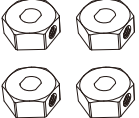

# Spare Parts 配件表

			
<p>P10164</p>	<p>P10194</p>	<p>P10174</p>	<p>P10184</p>
<p>Front Gearbox Covers 前差速底座</p>	<p>Rear Gearbox Covers 后差速底座</p>	<p>Front Shock Tower 前避震架</p>	<p>Rear Shock Tower 后避震架</p>
			
<p>P10284</p>	<p>P10214</p>	<p>P10204</p>	<p>P10224</p>
<p>Body Pillars 车壳支架</p>	<p>Gear Box 波箱座</p>	<p>Rod 拉杆</p>	<p>Front Lower Suspension Arms 前下摆臂</p>
			
<p>P10234A</p>	<p>P10234B</p>	<p>P10244</p>	<p>P10254</p>
<p>Steering Block 转向座</p>	<p>Steering Block 转向座</p>	<p>Rod 拉杆</p>	<p>Rear Lower Suspension Arms 后下摆臂</p>

# Spare Parts 配件表

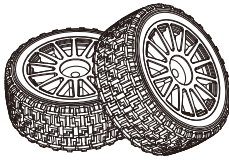
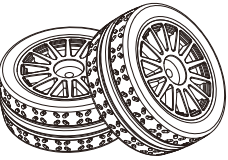
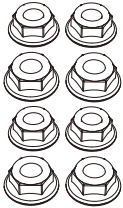
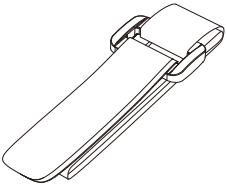
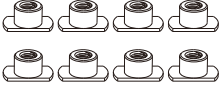
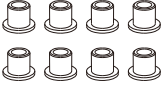

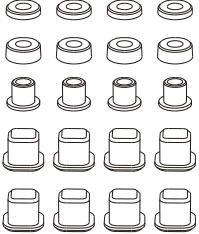
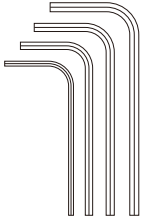
			
<p>P10264</p>	<p>P10124</p>	<p>M30500</p>	<p>S0690</p>
<p>Rear Hubs 后固定座</p>	<p>Front/Rear Sway Bar 前/后防倾杆</p>	<p>F/R Lower Swing Arm Fixed Shaft 下摆臂固定轴</p>	<p>Servo 舵机</p>
			
<p>P10724</p>	<p>P10274</p>	<p>P10434</p>	<p>P104341</p>
<p>Servo Swingarm 舵机摆臂</p>	<p>Servo Fix Frame 舵机固定架</p>	<p>Steering Assembly 转向传动组件</p>	<p>Steering Linkage 转向拉杆(2PCS)</p>
			
<p>P104342</p>	<p>B36523</p>	<p>P10394</p>	<p>P10384</p>
<p>Connecting Rod 转向连杆</p>	<p>Brushless Motor 无刷电机</p>	<p>Motor Pinions 电机输出齿</p>	<p>Motor Guard 电机固定座</p>

# Spare Parts 配件表

	 		
P12395	P10397C	P10424F	P10424R
Motor Heatsink 散热片	Motor Fans 电机风扇	Front Differential 前差速器	Rear Differential 后差速器
			
P10404	E80SDH	R3B	P10504
Centre Drive Shaft 主轴	Brushless ESC 无刷电子调速器	Receiver 接收器	Oil Filled Shock 油压避震
			 
T3D	G3C	P10414	10440
Transmitter 遥控器	Gryo 陀螺仪	Metal F/R CVD Shafts (2 Sets) 轮胎转动组件	Wheel Hex 六角套



# Spare Parts 配件表

			
<p>P103004</p>	<p>P103004B</p>	<p>M40</p>	<p>BD2225</p>
<p>Wheel Assembly 车轮组件 (2PCS)</p>	<p>Wheel Assembly 车轮组件 (2PCS)</p>	<p>M4 Wheel Lock Nut M4螺母 (8PCS)</p>	<p>Battery Base 电池固定带 (3PCS)</p>
			
<p>T9534</p>	<p>T65357</p>	<p>T55404</p>	<p>P10324</p>
<p>Bushing 轴套 (8PCS)</p>	<p>Bushing 轴套 (8PCS)</p>	<p>Bushing 轴套 (8PCS)</p>	<p>Adjustment Block Set 臂码豆</p>
			
<p>PH04</p>			
<p>Screwdriver Sets 螺丝刀套装</p>			

## Screws 螺丝

HTM3080G	∅3x8mm	12PCS
HTM3010	∅3x10mm	12PCS
HTM3012	∅3x12mm	12PCS
HTM3015	∅3x15mm	12PCS
HTM3016	∅3x16mm	12PCS
HHM2580	∅2.5x8mm	12PCS
HHM2580G	∅2.5x8mm	12PCS
HHM2510	∅2.5x10mm	12PCS
HHM2512	∅2.5x12mm	12PCS
HHM3080	∅3x8mm	12PCS
HHM3010	∅3x10mm	12PCS
HHM3014	∅3x14mm	12PCS
HHM3016	∅3x16mm	12PCS
HHM3022	∅3x22mm	12PCS
HKM2560	∅2.5x6mm	12PCS
HKM2580G	∅2.5x8mm	12PCS
HKM2512	∅2.5x12mm	12PCS
HKM3080	∅3x8mm	12PCS
HKM3012	∅3x12mm	12PCS
M3030	∅3x3mm	12PCS
HTWM2560	∅2.5x6mm	12PCS
HWM3060	∅3x6mm	12PCS

## Others 其他

BRG10154	Bearing 轴承	8PCS
R168Z	Bearing 轴承	8PCS
T55404	Bushing 轴套	8PCS
T65357	Bushing 轴套	8PCS
T9534	Bushing 轴套	8PCS
M3	∅3mm Nut 螺母	8PCS
M40	∅4mm Nut 螺母	8PCS



**MADE IN CHINA**

Instructions must be retained since it contains important information.