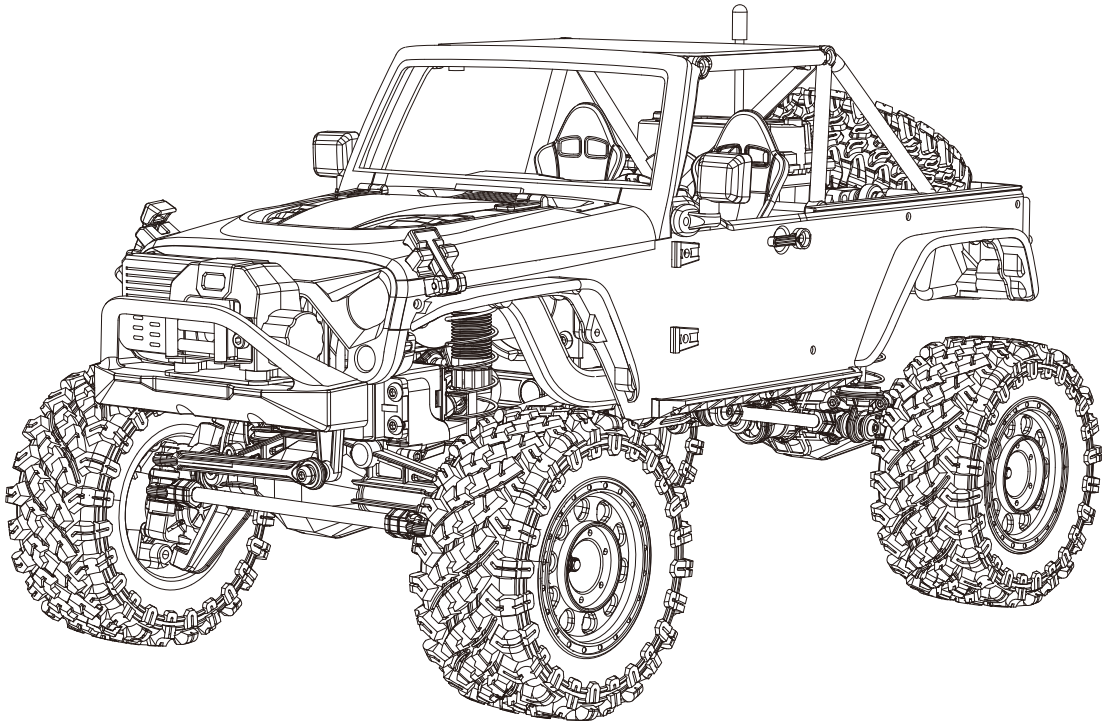


No.H12Y/H12Y+

# ***HYPER GO***

## **1:12 RC CLIMBING CAR USER MANUAL**



The instruction sheet for this product is just for your reference. We reserve the right to make changes or adjustments on the product without prior notification. Please refer to the official information.

## Warning

Choking hazard! This product contains small parts. NOT suitable for children under 3 years. Contains electrical components and should be kept dry at all times. Regularly check the battery charger wires, plugs and shell and other components for damage. DO NOT use if any part is damaged.

## Safety Precautions

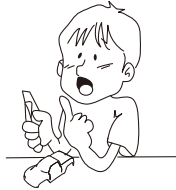
- It is a radio control model, not a toy!
- In order to enjoy running the car, you need to finish assembly before operation. Do routine maintenance work after operation. Replacement parts and option parts are available separately.
- Improper usage with Alkaline cells or rechargeable batteries may damage the electronics for the car or the radio.

### In order to operate the car safely. Be sure that you have observed the following points:

⚠ Please follow the points as below in order to prevent accident from happening to the car and people.



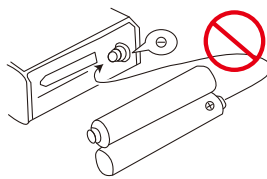
- Be sure to read thoroughly the manual before you begin. Fresh user should seek advice from people having rich experience in order to assemble the model correctly.



- Cutters, nippers and screwdrivers need careful handling.



- Do not expose this model to high temperature, humidity or direct sunlight.



- Never reverse connection/disassemble the battery. This may lead to damage and leakage.



- As the product contains small and sharp parts, assemble and store this product only in places out of the reach of children.

- When the model is not in use, always turn off the receiver and transmitter. Further more, disconnect the batteries and remove them from the model and the transmitter. This may be dangerous such as overheat and leakage.

## Warnings & Cautions

1. Detachable small parts should be stored safely and out of reach of children.
2. If interference is experienced, turn the model off and try it again in a different area.
3. Transmitter will not function correctly if the batteries are low. Please replace the batteries.
4. Please discard old/used batteries in a safe manner. Consider your environment!
5. Please store the remote control model in cool, dry place.
6. DO NOT expose to fire or high temperatures, do not store in moist place.
7. Once the battery get wet, wipe immediately with a soft dry cloth. If the battery any deformation, please stop using.
8. If you don't use the model for a long time, please raise the chassis to let the wheels hang in the air.

## Operating Your Model Safely

⚠ Do NOT operate the model in the following places and situations. (Non-observance may lead to accident!)

- Operate your model in spacious and safe areas!  
Do not operate it:
  1. On road!
  2. In places where children and many people gather.
  3. In residential districts and parks!
  4. Do not operate the model on public roads, in crowded places and near infant as it may cause accidents.
  5. Indoors and in limited space! Non-observance may result in personal injury and property damage!
- The car must stop immediately and check for the reasons when it is operating abnormal. As long as the problem is not cleared, do NOT operate it! This may lead to further trouble and unforeseen accidents!
- Always check the radio batteries! With weak dry batteries, transmission and reception of the radio would fall off. You may lose control of your model in such condition. This may also cause serious accidents!
- Keep in mind that people around you may also operate a radio control model! NEVER share the same frequency with somebody else at the same time! Otherwise, Radio signals will be mixed up and you will lose control to your model. This may lead to accidents.
- Do NOT put fingers or any objects inside rotating and moving parts!
- Right after use, do NOT touch the motor! Danger of burning yourself!

## Precautions for Battery Use

1. Transmitter uses 3x1.5V "AA" batteries.
2. Please pay attention to correct polarity when replacing batteries.
3. Rechargeable batteries should be charged under adult supervision.
4. Do not mix old and new batteries.  
Do not mix alkaline, standard (carbon-zinc), or rechargeable batteries.
5. After the battery is exhausted, the model should be removed.
6. Exhaust battery should be safety dispose!
7. DO NOT short circuit any terminals.
8. DO NOT attempt to recharge non rechargeable batteries.
9. Remove batteries from the model when charging.
10. DO NOT put batteries into a fire or into water.
11. The rated input voltage battery charger MUST be suitable for your mains power voltage.
12. During charging it is quite normal for the charger and batteries to heat up.
13. Do not swallow battery!
14. Store only in cool, dry and dark places and should be keep out of the children!
15. When the battery leaks the liquid and let it into you eyes, please right away rinse them and consult an ophthalmologist.

本产品说明书内容仅供参考。本公司有权对产品进行更改或调整，恕不再另行通知，具体请以官方为准。

## 警告：

本产品含有小零件请勿让三岁以下儿童玩耍；本品含电子元件，不得入水或在潮湿环境下使用；电池充电器应定期检查其电线、插头、外壳和其他部件是否损坏，发现损坏时应停止使用。

## 安全注意事项

- 此无线遥控模型并非玩具！
- 操作前要完成装配，以便可享受到更多的乐趣。操作后要做维护工作，替换零件和自选零件可分开使用。
- 干电池或充电电池的适当使用，会损害车或无线电的系统。
- 模型只能使用推荐的充电器，充电器不是模型，可用液体清洗的模型清洁前应 与充电器断开，定期检查充电器的电线、插头、外壳和其他部件是否损坏，发现损坏时应停止使用，直至修复完好。

### 为了安全地操作此模型，请遵守以下规定：

 为了避免发生事故(对车和人而言)，请遵循以下各项。



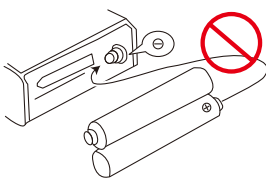
- 开始组装前，须彻底阅读说明书。为了正确地装配模型，首次装配者应请教有操作经验的人。



- 刀具，镊子，螺丝等需小心处理。



- 勿把模型放在高温，潮湿及阳光直射的地方。



- 勿反接或分解电池，这会导致电池的破损或液漏。



- 产品含有小且尖锐的零件，所以在装配和贮藏时，要放在儿童摸不到的地方。

- 当模型不使用时，先关闭模型车、后关遥控器电源。此外，断开模型车的电池连接，并从遥控器中取出电池，以免电池过热或漏液。

## 注意事项

1. 可拆卸的小零件要放好，千万不可让小孩吞食。
2. 如操作场地有电波干扰，请另选场地操作。
3. 遥控器电源低电时，请立即停止操作，并更换新电池。
4. 对拆除后的包装物和使用过的旧电池，请不要随地丢弃，以免污染环境卫生。
5. 请将您的遥控模型存放在干燥、阴凉的地方。
6. 不要置于近火和高温、潮湿的地方储存。
7. 当电池被水浸湿，请将水充分地擦拭干净，如有变形，请停止使用。
8. 若长时间不使用请将模型车的底盘架高，让车轮悬空。

### 安全操作模型

 不可在以下地方或情形下使用本车(不遵循操作惯例可能会导致事故发生)

- 只可在空旷安全的地方使用本车！  
勿在以下地方使用本车：
  1. 公路上。
  2. 儿童或人群聚集的地方。
  3. 生活区公园里。
  4. 勿在公共车道或人群拥挤的地方操作模型，以免发生意外伤害。
  5. 室内或空间有限的地方。不遵循操作惯例可能会导致人身伤害或财产损失！
- 当车子行动异常时立即停止使用并检查其原因。只要车子故障未被消除，则不能使用车子。否则可能会出现更大的故障，并发生意外事故。
- 须经常检查无线电装置的干电池！  
若电池电量不足，发射和接收效果将不理想。在此种情况下，车子可能会出现失控现象，也可能导致严重事故！
- 保持警惕，周围可能有人也在操作模型车！  
勿与他人同时使用同一频率！否则信号会发生混乱，车子会失控，可能导致事故发生。
- 不可将手指或其他物体放进正在旋转或移动的部件中。
- 刚使用完毕时，勿触摸马达，因有烫伤危险！

### 电池使用注意事项

1. 遥控器使用2节1.5V“AA”号电池；
2. 安装或更换电池时请注意极性；
3. 充电电池只能在成人监护下充电；
4. 不可混用新旧或不同型号的电池；
5. 电池电量用尽后，应从模型内取出；
6. 将耗尽电量的电池交给专门的环保部门处理！
7. 接线端不应短路；
8. 非充电电池不可充电；
9. 充电电池充电前应从模型中取出；
10. 请不要将坏的电池、电池组分解或扔到火中、水里，以免发生意外；
11. 充电器的额定输入电压必须与当地的家用电压相符；
12. 在充电过程中，充电器和电池出现微温，属于正常现象。
13. 不可吞咽电池！
14. 将电池放在凉爽、干燥避光及小孩接触不到的地方！
15. 电池漏液而且滴到眼睛里，请马上用大量的清水清洗，然后到附近的医院就医。

# **FC** FCC PART 15 B Notice: **CAUTION**

Warning: Changes or modifications to this unit not expressly approved by the party responsible for compliance could void the user's authority to operate the equipment.

NOTE: This equipment has been tested and found to comply with the limits for a Class B digital device, pursuant to Part 15 of the FCC Rules. These limits are designed to provide reasonable protection against harmful interference in a residential installation. This equipment generates, uses and can radiate radio frequency energy and, if not installed and used in accordance with the instructions, may cause harmful interference to radio communications.

However, there is no guarantee that interference will not occur in a particular installation. If this equipment does cause harmful interference to radio or television reception, which can be determined by turning the equipment off and on, the user is encouraged to try to correct the interference by one or more of the following measures:

- Reorient or relocate the receiving antenna.
- Increase the separation between the equipment and receiver.
- Connect the equipment into an outlet on a circuit different from that to which the receiver is connected.
- Consult the dealer or an experienced radio/TV technician for help.

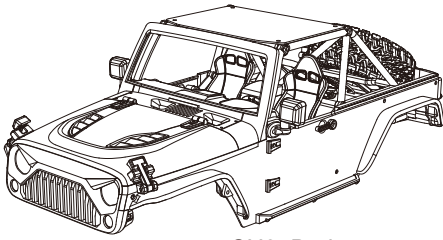
This device complies with Part 15 of the FCC Rules. Operation is subject to the following two conditions:

- (1) this device may not cause harmful interference, and
- (2) this device must accept any interference received, including interference that may cause undesired operation.

## **微功率短距离设备相关规定要求如下：**

- (一)符合“微功率短距离无线电发射设备目录和技术要求”的具体条款和使用场景，采用的天线类型和性能，控制、调整及开关等使用方法；
- (二)不得擅自改变使用场景或使用条件、扩大发射频率范围、加大发射功率（包括额外加装射频功率放大器），不得擅自更改发射天线；
- (三)不得对其他合法的无线电台（站）产生有害干扰，也不得提出免受有害干扰保护；
- (四)应当承受辐射射频能量的工业、科学及医疗（ISM）应用设备的干扰或其他合法的无线电台（站）干扰；
- (五)如对其他合法的无线电台（站）产生有害干扰时，应立即停止使用，并采取措施消除干扰后方可继续使用；
- (六)在航空器内和依据法律法规、国家有关规定、标准划设的射电天文台、气象雷达站、卫星地球站（含测控、测距、接收、导航站）等军民用无线电台（站）、机场等的电磁环境保护区域内使用微功率设备，应当遵守电磁环境保护及相关行业主管部门的规定；
- (七)禁止在以机场跑道中心点为圆心、半径5000米的区域内使用各类模型遥控器；
- (八)微功率设备使用时温度和电压的环境条件；
- (九)使用微功率短距离无线电发射设备应当符合国家无线电管理有关规定。

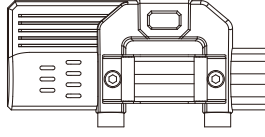
# Electronic device connection method 电设连接方式



CH3: Body  
车壳

Optional winch  
绞盘选配

CH4: Winch 绞盘



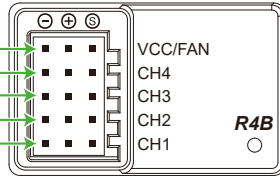
VCC

### Power supply interface

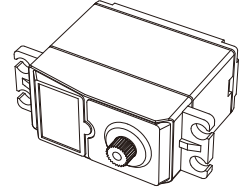
1. The receiver outputs BEC voltage when taking power through ESC;
2. The receiver can support 3.5V-9V input voltage when it is powered via external power supply.

### 供电接口

1. 接收机通过ESC取电时，输出BEC电压；
2. 接收机通过外部供电时，可支持3.5V-9V输入电压。



Receiver 接收机

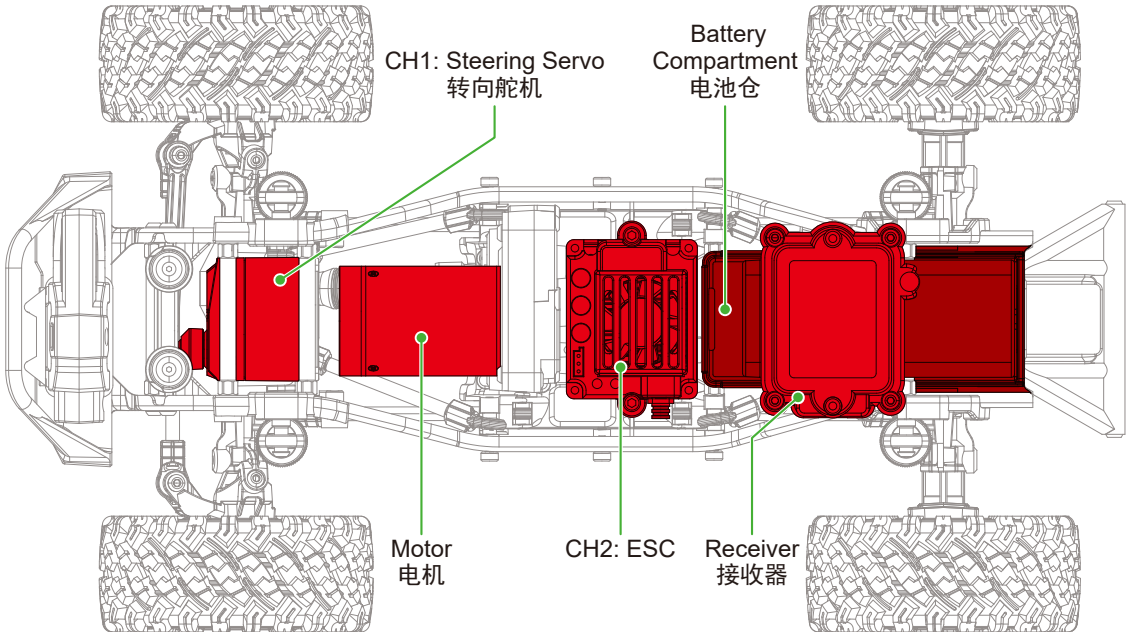


CH1: Servo  
舵机

**ESC**

CH2: ESC

# Placement 部件位置



CH1: Steering Servo  
转向舵机

Battery Compartment  
电池仓

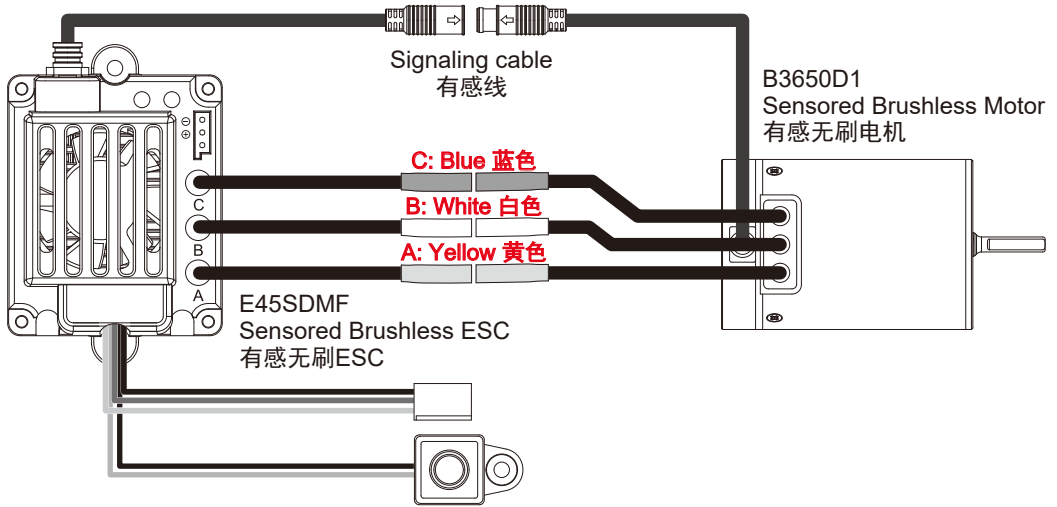
Motor  
电机

CH2: ESC

Receiver  
接收器

# H12Y+ Sensored brushless ESC & motor 有感无刷ESC & 电机

Please select the corresponding connection method according to the configuration.  
请依据配置选择对应的连接方式。



## Warning:

Please note that the motor and ESC connecting wire interface need to be consistent. If connected wrongly will result in not working properly.

## 注意:

请注意电机和电调连接线接口需要保持一致。如接错将导致无法正常工作。



SNAIL ESC

## Chinese User Only



中国内地用户

## International User



Google play



App Store

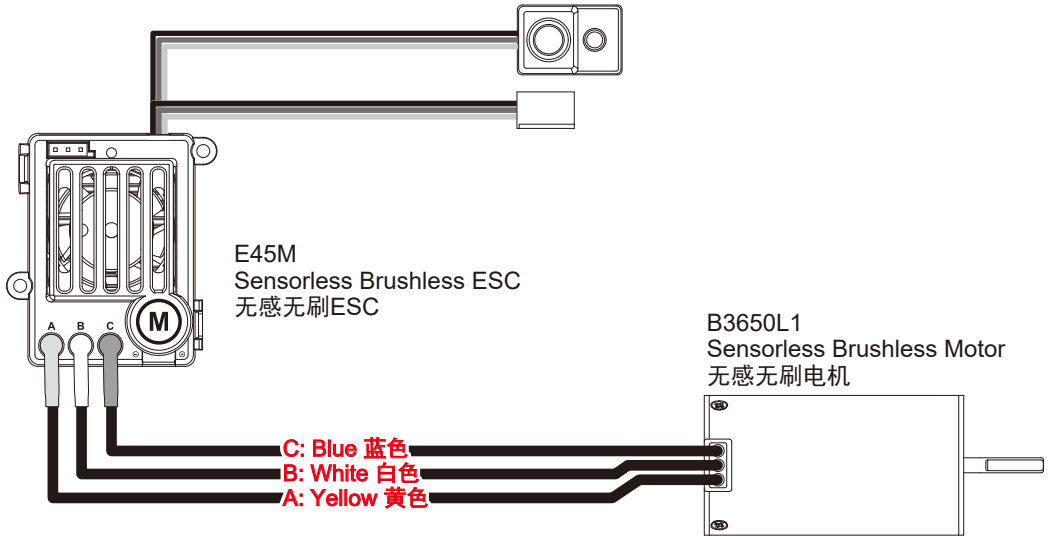
ESC can be connected by Smartphone to read parameters and set up. Please scan the QR code to download APP.

ESC can be connected with APP under power-on condition. Please make sure the Bluetooth of your cell phone is turned on before connecting.

ESC可通过手机连接读取参数并设置。请下载APP。

电调通电状态下即可与APP连接。连接前请确保手机蓝牙已打开。

# H12Y Sensorless brushless ESC & motor 无感无刷ESC & 电机



## Warning:

Please note that the motor and ESC connecting wire interface need to be consistent. If connected wrongly will result in not working properly.

## 注意:

请注意电机和电调连接线接口需要保持一致。如接错将导致无法正常工作。

## Set the throttle range (Transmitter calibration) 设定油门行程(遥控器校准)

When replacing the transmitter with a new one, it is recommended to reset the throttle range, otherwise the ESC may become inoperable or abnormal.

当更换新的遥控器时，建议重新设置油门行程，否则可能会导致ESC无法使用或异常。

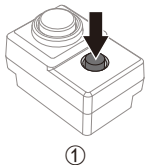
### ESC enters "the throttle range" state:

#### ESC进入油门行程校准模式:

1. Turn on the transmitter, adjust the throttle trim to the middle position, and keep the status of "D/R", "EPA", "ATL" and other parameters of the throttle channel of the transmitter at 100%;  
打开遥控器，将油门微调调至中间位置，同时请保持遥控器油门通道的"D/R"、"EPA"、"ATL"等参数状态为100%；
2. The ESC is connected to the battery, but in the off state, keep holding down the 【SET】 state, short press ON/OFF, the LED on the ESC will start to flash, and at the same time, the motor will start to chirp, at this time, you can release the 【SET】 button. The red light on the ESC is in the fast-flashing state, and it has entered "the throttle range" state.

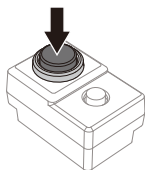
电调连接电池，但处于关闭状态，保持按住【SET】状态，短按ON/OFF，电调上LED开始闪烁，同时电机开始鸣叫，此时即可松开【SET】按键。电调红灯处于快闪状态，已进入油门行程校准状态。

Keep holding down the 【SET】  
按住SET键



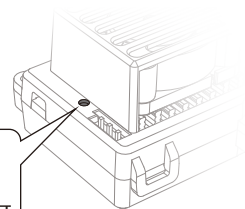
①

Short press ON/OFF  
短按ON/OFF键



②

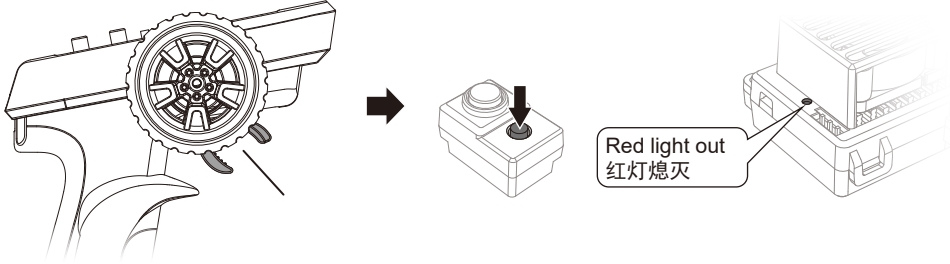
Release the button when the indicator light flashes  
指示灯闪烁时，即可松开按键



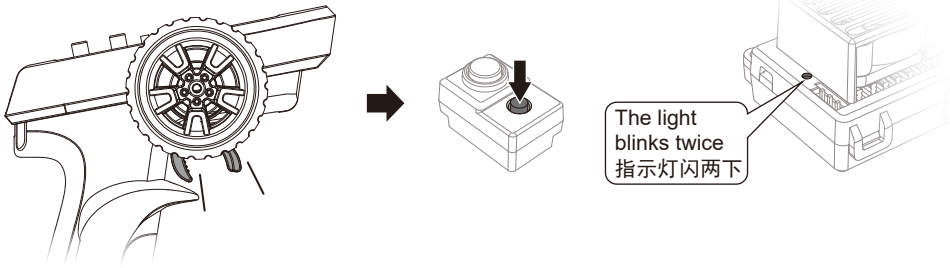
# H12Y Sensorless brushless ESC 无感无刷ESC

## Calibration steps (please follow the order) 校准步骤(请按照顺序进行)

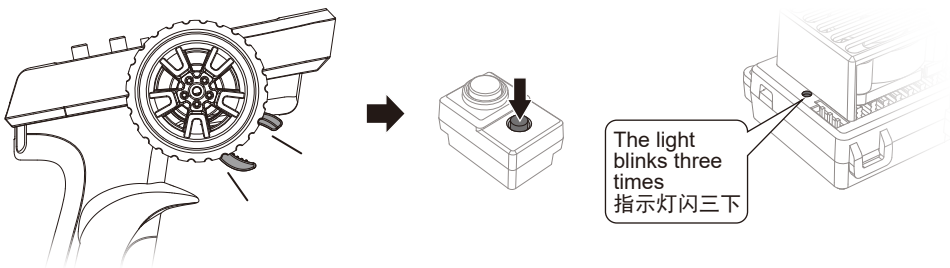
1. Keep the transmitter throttle in the mid-point position, press 【SET】 once, the red light of ESC goes out and the motor “Di”, indicating that the mid-point position has been successfully stored;  
保持遥控器油门处于中点位置，按一次【SET】，ESC红灯熄灭，电机“Di”，表明已成功储存中点位置；



2. Keep the throttle of the transmitter in the maximum forward position, press 【SET】 once, the red light of ESC flashes twice and then goes out, the motor “Di.Di”, indicating that the maximum forward position has been successfully stored;  
保持遥控器油门处于最大前进位置，按一次【SET】，ESC红灯闪烁2次后熄灭，电机“Di.Di”，表明已成功储存最大前进位置；



3. Keep the transmitter throttle in the maximum backward position, press 【SET】 once, ESC red light blinks 3 times and then goes out, motor “Di.Di.Di”, indicating that the maximum backward position has been successfully stored.  
保持遥控器油门处于最大后退位置，按一次【SET】，ESC红灯闪烁3次后熄灭，电机“Di.Di.Di”，表明已成功储存最大后退位置。



After completing the above three steps, it means the calibration has been completed.

When the transmitter throttle returns to the centre position, the ESC can work normally.

完成以上三个步骤后，代表校准已完成。遥控器油门回到中点位置时，ESC即可正常工作。

It is recommended to perform a throttle travel calibration when starting a new vehicle to get the most accurate experience.

建议新车入手时，进行一次油门行程校准，以获得最精准的体验。

## Throttle range back to initial setting 油门行程恢复初始设置

When the ESC is powered on, press and hold 【SET】 for 5 seconds, the motor will emit “Di.Di”, the ESC indicator light will flash twice, and the throttle range will be restored to the initial setting.

在ESC通电并开启状态下，长按【SET】5秒，电机发出“Di.Di”，ESC指示灯闪两下，油门行程恢复为初始设置。



# Transmitter 遥控器

CH4: Winch control  
控制绞盘

Red indicator light  
红色指示灯

Stay on: Working well  
Flash slowly: The power of transmitter is low  
常亮: 正常  
慢闪: 遥控器电池电量不足

CH3: Light control  
灯控

ST.TRIM (Steering trim)  
转向微调

ST.D/R (Steering D/R)  
转向舵量



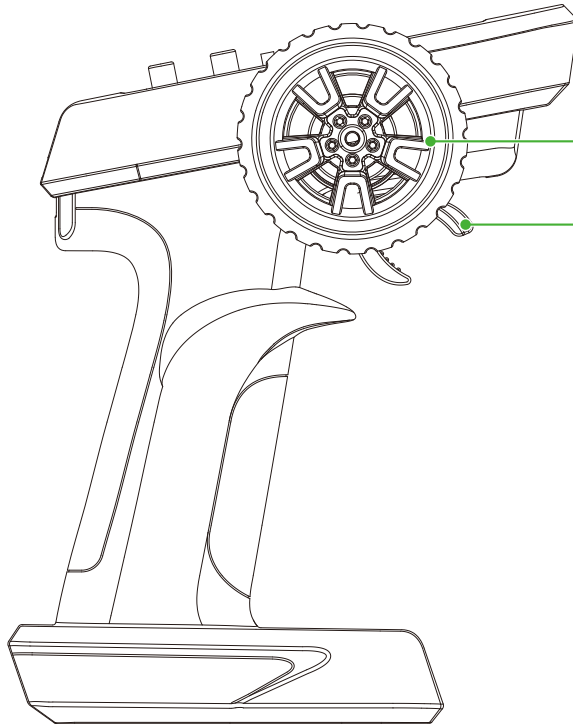
Green indicator light  
绿色指示灯

Stay on: Working well  
Flash slowly: No signal  
Flash quickly: Matching code  
Lights out: Unconnected  
常亮: 连接正常  
慢闪: 无信号  
快闪: 对码状态  
熄灭: 未连接

Switch  
开关

TH.TRIM (Throttle trimmer)  
油门微调

TH.D/R (Throttle D/R)  
油门舵量



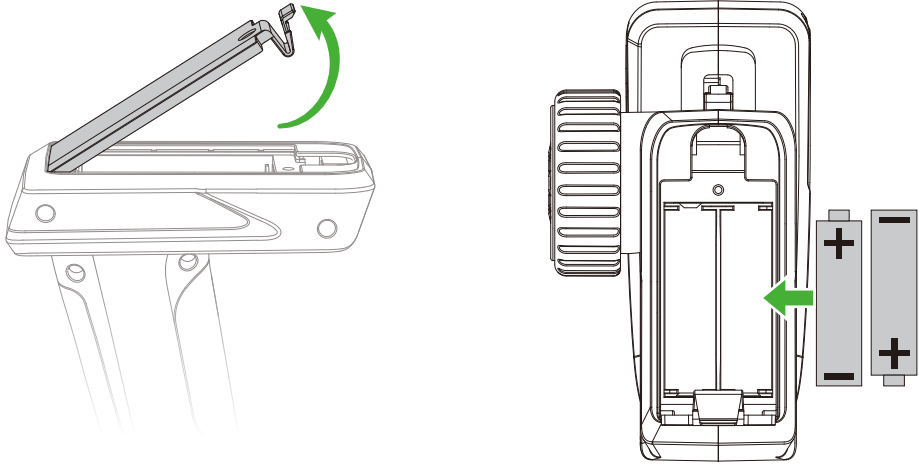
CH1: Steering  
转向

CH2: Throttle  
油门

## Install the transmitter's battery 遥控器安装电池

Open the transmitter's battery cover, insert 2 AA batteries according to the indicated positive and negative direction, close the battery cover.

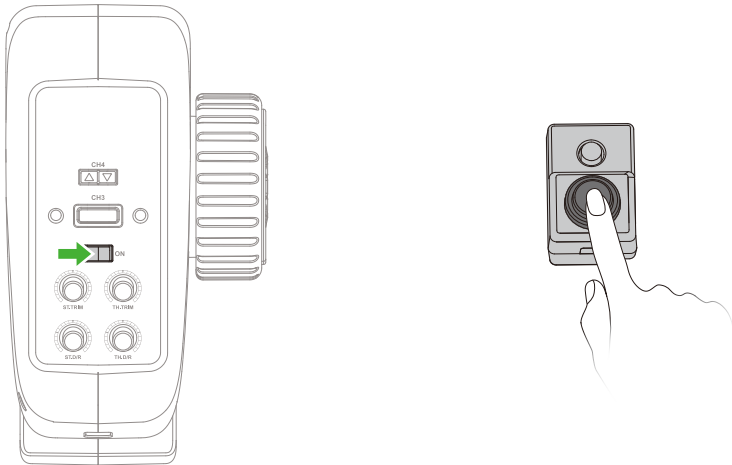
将遥控器电池盖打开，按照遥控器指示的正负极，正确装入2节AA电池，再重新盖上电池盖。



## Power switch 开关

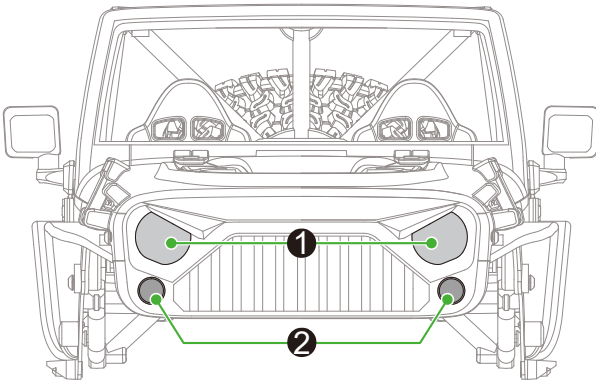
1. Turn on the power switch of the transmitter, the signal indicator light of transmitter flashes.
2. Press the power button of high speed car, the indicator light of high speed car flashes.
3. When the indicator light stays on, the high speed car can be operated to play.

1. 打开遥控器电源开关，遥控器信号指示灯闪烁。
2. 按下高速车电调的电源开关按钮，高速车指示灯闪烁。
3. 当指示灯变为常亮后，便可操控高速车。



- When turn on the transmitter, please DO NOT touch the throttle and steering. After turn on the transmitter's power, please operate after the indicator light of transmitter staying on.
- Please comply the principle of "turn on the transmitter firstly, then turn on the high speed car".
- In the frequency matching, please make sure there is only one pair of transmitter and high speed car in matching at the same time, otherwise the frequency will match wrongly.
- 当准备开启遥控器时，请勿触动油门和转向。打开遥控器开关，遥控器指示灯点亮后才能进行操作。
- 开机时应遵循“先开启遥控器，再开启高速车”的原则。
- 在同一时刻，请确保对码的遥控器和高速车只有一对，否则会对错遥控器。

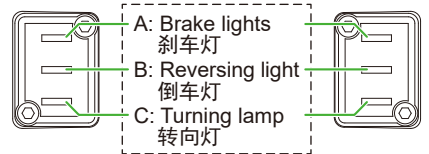
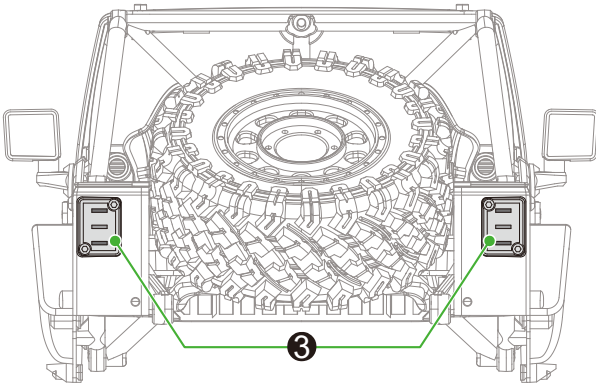
## Lighting instructions 灯光说明



① Headlights  
前照灯

② Turning signal lamp  
转向灯

③ Brake lights/Turning signal lamp/  
Reversing indicator light  
刹车灯/转向灯/倒车照明灯



Short press [CH3] on the transmitter to switch the light modes:

1. [Linkage Mode] The turn signal, brake light and reverse light will follow the function linkage.
2. [Emergency flash mode] All lights in double flash state.
3. [Lights off Mode] All lights are off.

遥控器短按【CH3】可切换三种车灯模式：

1. 【联动模式】转向灯、刹车灯与倒车灯会跟随功能联动。
2. 【双闪模式】全部车灯在双闪状态。
3. 【关灯模式】全部车灯在熄灭状态。

## Charge 充电

If charging with a 5V 2A USB adapter.

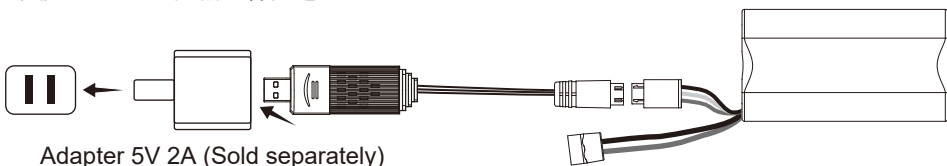
- When charging, the indicator light of charger is green and flashes;
- When the battery is fully charged, the green indicator light of the charger stays on.

\*The above charging time data is based on the test result of 5V 2A adapter. Using different specifications of adapters or power supply equipment will affect the actual charging time. It is recommended to use a 5V 2A adapter for charging.

使用5V 2A USB适配器进行充电。

- 电池充电时，充电器绿色指示灯闪烁；
- 电池满电时，充电器绿色指示灯常亮。

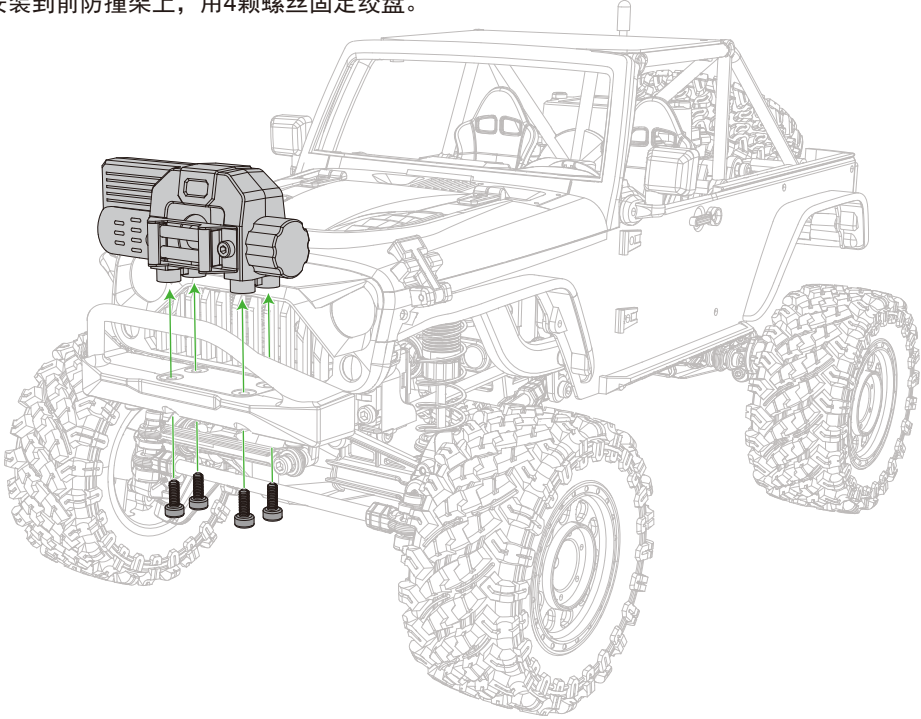
\*以上充电时长数据为配置5V 2A适配器的测试结果，使用不同规格的适配器和供电设备会影响实际充电时间。建议使用5V 2A适配器进行充电。



Adapter 5V 2A (Sold separately)  
适配器5V 2A (需另购)

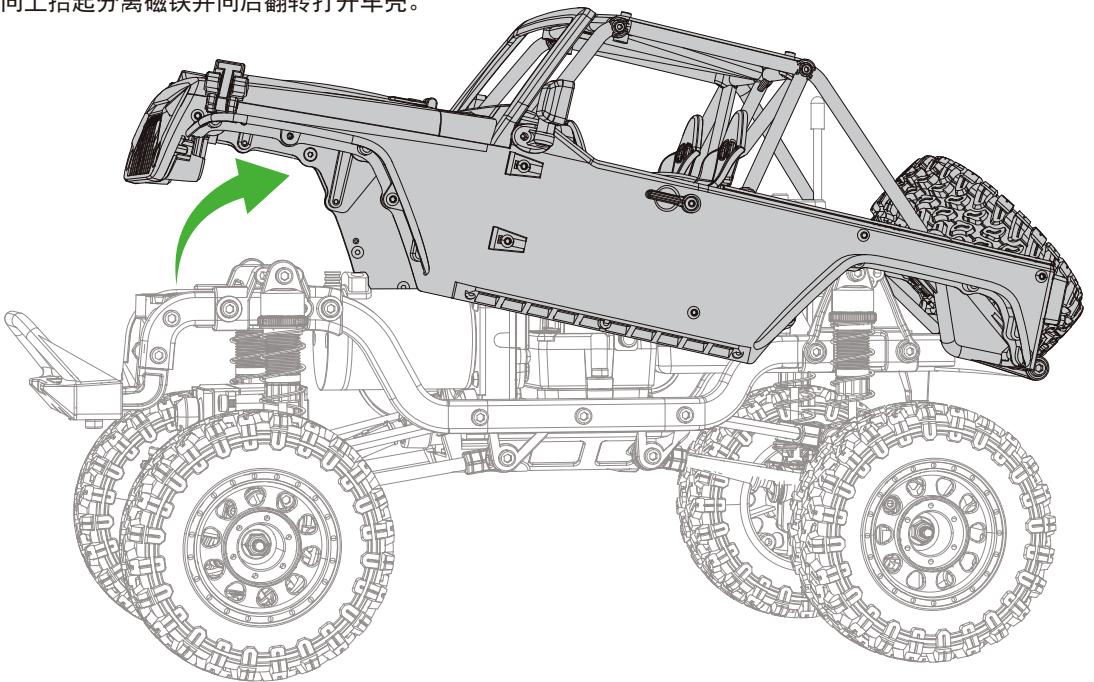
## Mounting winch (Optional) 安装绞盘(选配)

Install the winch onto the front bumper and secure the winch with the 4 screws.  
将绞盘安装到前防撞架上，用4颗螺丝固定绞盘。




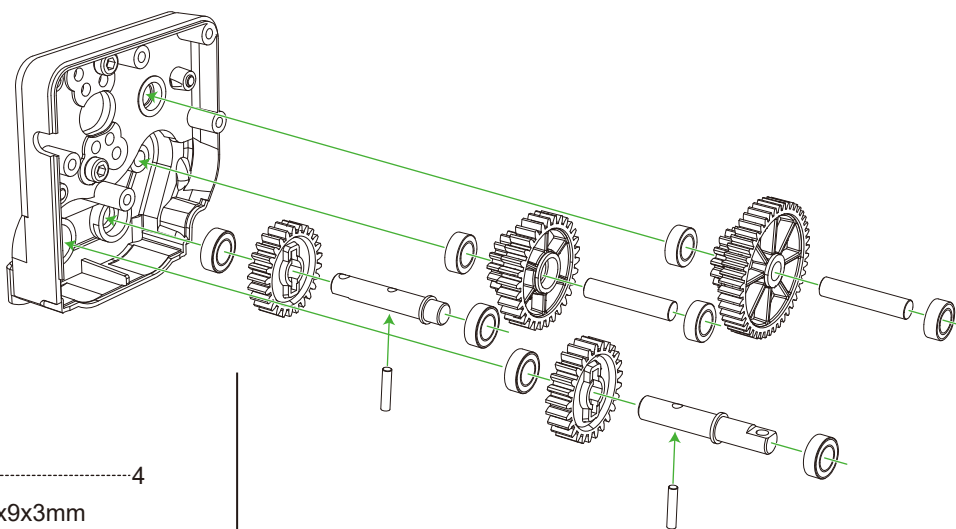
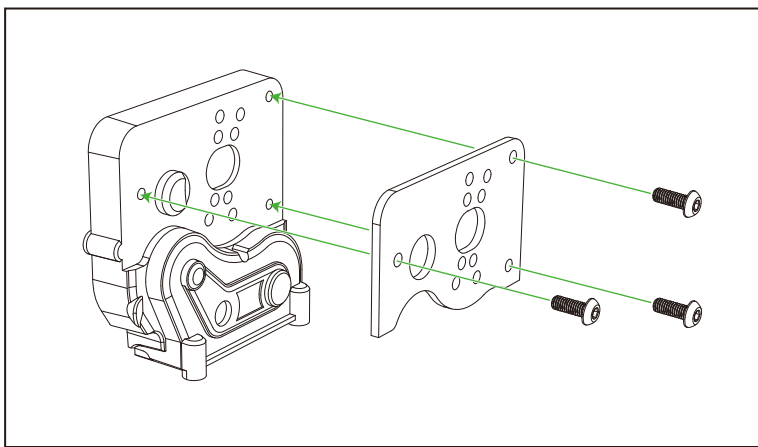
## Open the body 开启车壳方式


Lift the breakaway magnet upward and flip it back to open the body.  
向上抬起分离磁铁并向后翻转打开车壳。





# Gearbox subassembly 齿轮传动


 ..... 3  
 M3080  $\varnothing 3 \times 8 \text{mm}$

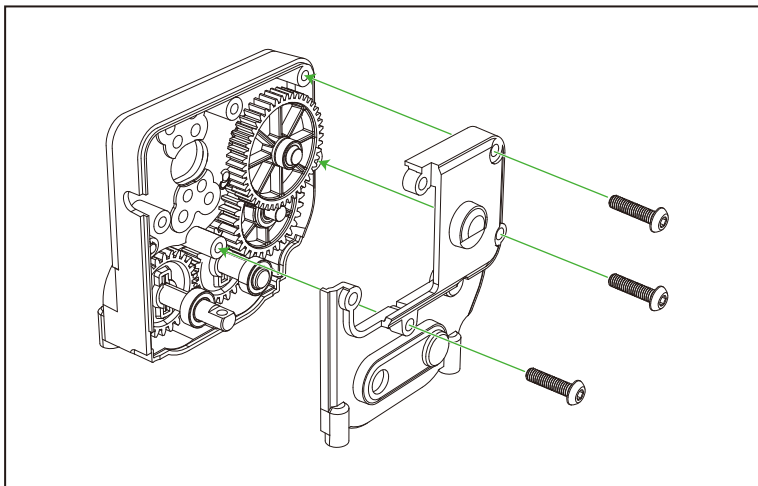


 ..... 4  
 BRG593  $\varnothing 5 \times 9 \times 3 \text{mm}$

 ..... 4  
 BRG7425  $\varnothing 7 \times 4 \times 2.5 \text{mm}$

 ..... 2  
 M2097  $\varnothing 2 \times 9.7 \text{mm}$

 ..... 3  
 HTM3012  $\varnothing 3 \times 12 \text{mm}$



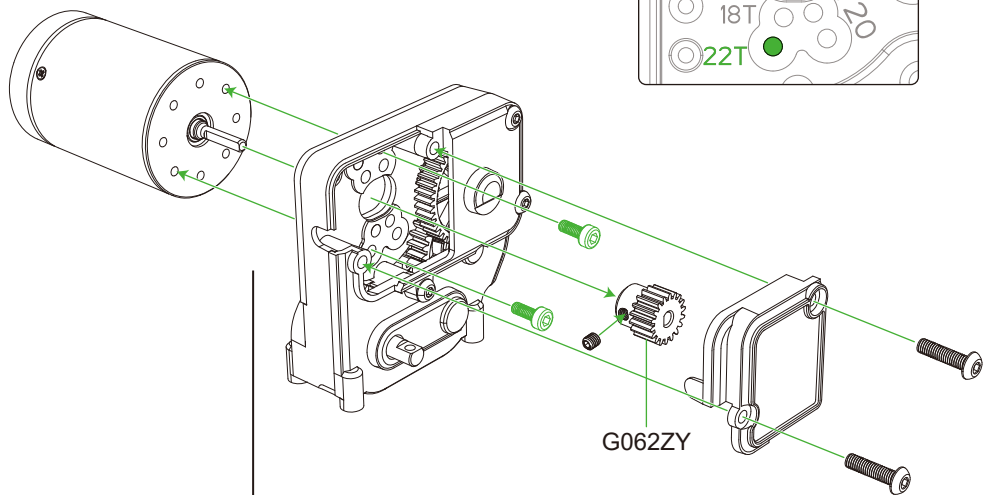
HTM3012 Ø3x12mm 2

M3030 Ø3x3mm 1

M3030 Ø3x3mm 1

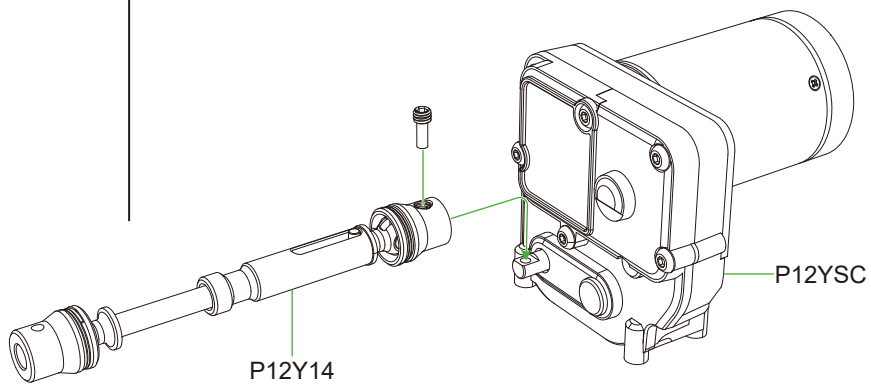
HHM3080 Ø3x8mm 2

HHM3080 Ø3x8mm 2



S4092 Ø4x9.2mm 1

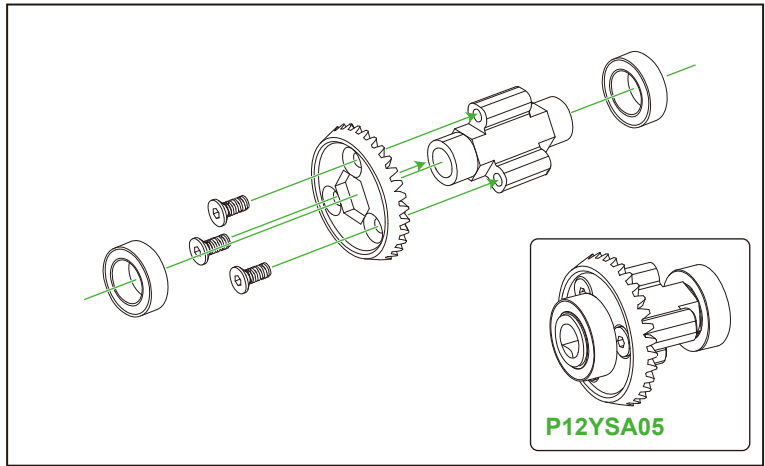
S4092 Ø4x9.2mm 1



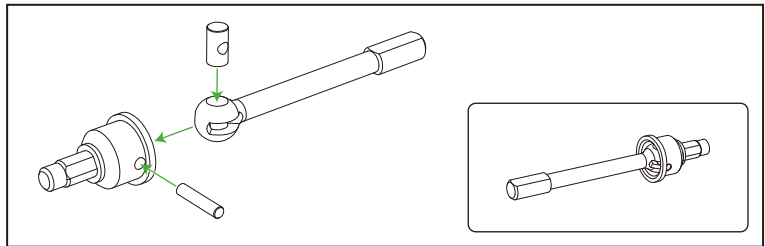
# Front axle subassembly 前桥

HKM2560  $\varnothing 2.5 \times 6 \text{mm}$  3

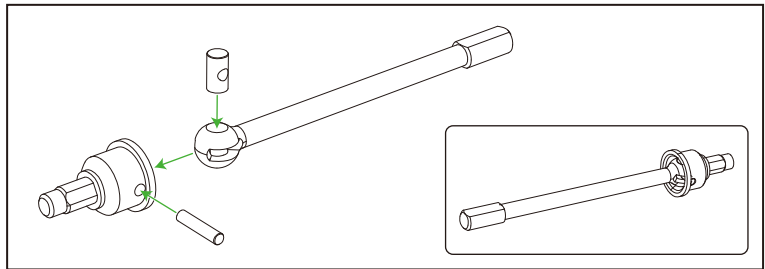
R1810  $\varnothing 7.9 \times 12.7 \times 4 \text{mm}$  2



M2097  $\varnothing 2 \times 9.7 \text{mm}$  1



M2097  $\varnothing 2 \times 9.7 \text{mm}$  1



HHM2580  $\varnothing 2.5 \times 8 \text{mm}$  4

G85653  $\varnothing 8.5 \times 6.45 \times 0.3 \text{mm}$  1

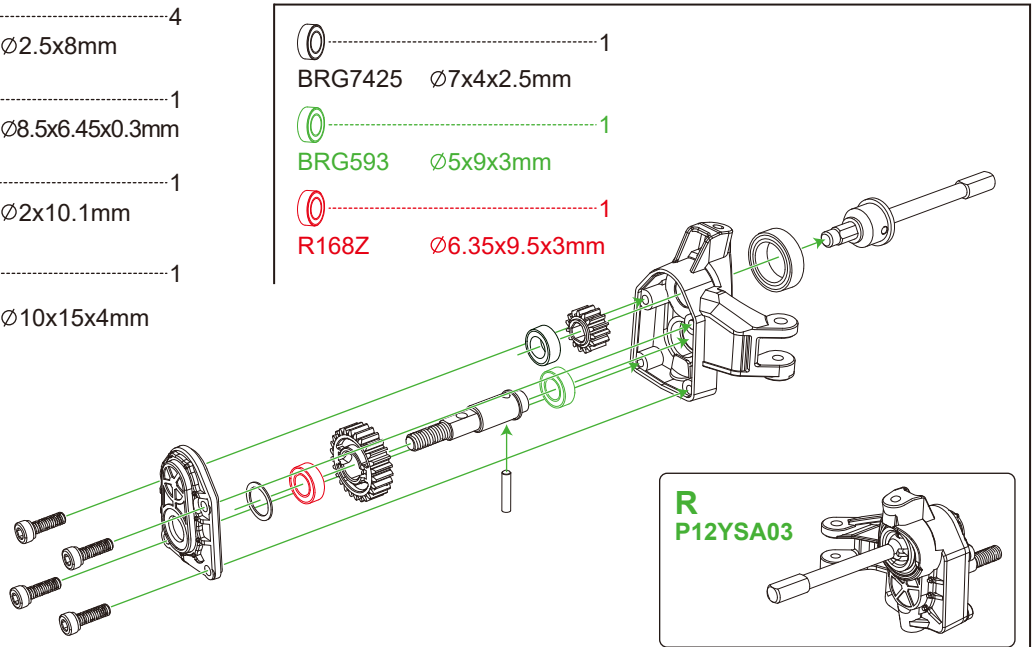
M20101  $\varnothing 2 \times 10.1 \text{mm}$  1

BRG10154  $\varnothing 10 \times 15 \times 4 \text{mm}$  1

BRG7425  $\varnothing 7 \times 4 \times 2.5 \text{mm}$  1

BRG593  $\varnothing 5 \times 9 \times 3 \text{mm}$  1

R168Z  $\varnothing 6.35 \times 9.5 \times 3 \text{mm}$  1



HHM2580  $\varnothing 2.5 \times 8 \text{mm}$  4

G85653  $\varnothing 8.5 \times 6.45 \times 0.3 \text{mm}$  1

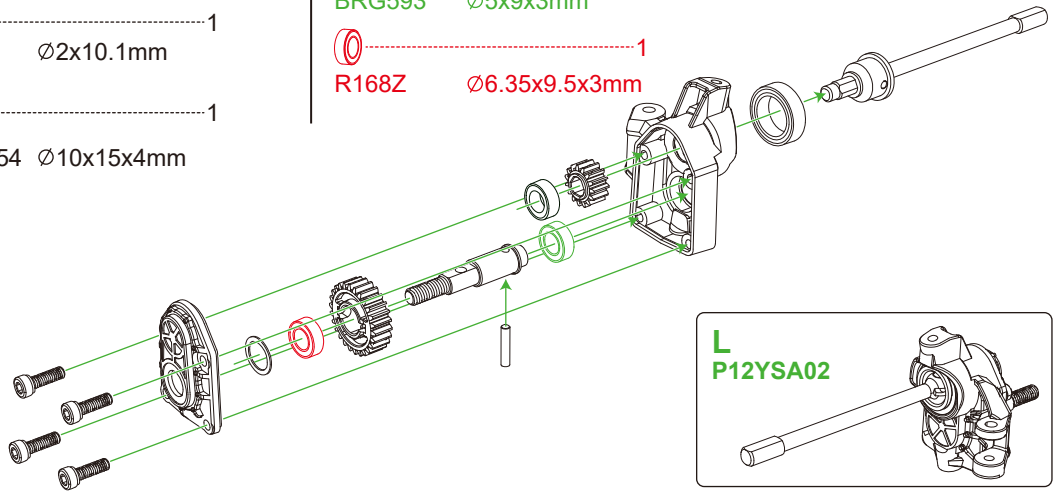
M20101  $\varnothing 2 \times 10.1 \text{mm}$  1

BRG10154  $\varnothing 10 \times 15 \times 4 \text{mm}$  1

BRG7425  $\varnothing 7 \times 4 \times 2.5 \text{mm}$  1

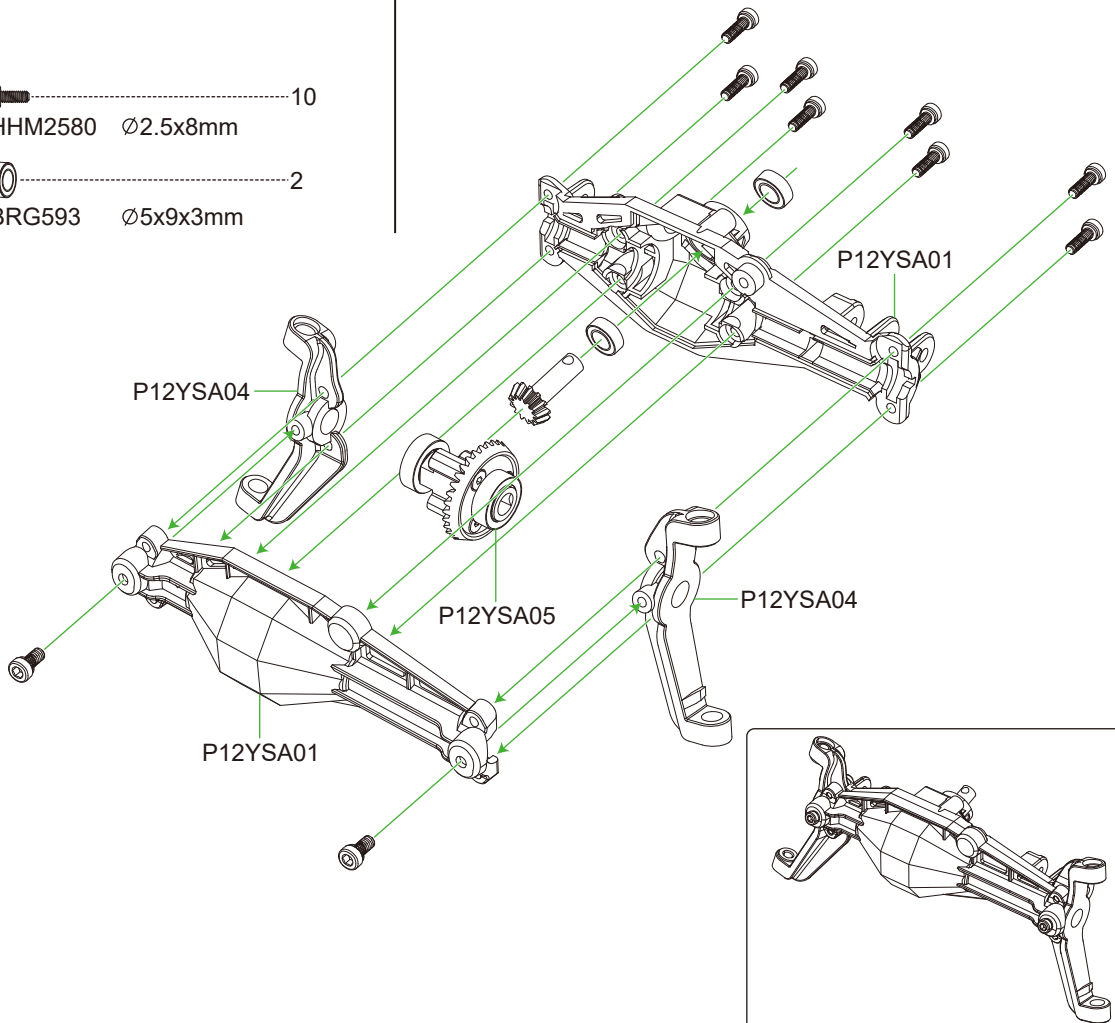
BRG593  $\varnothing 5 \times 9 \times 3 \text{mm}$  1

R168Z  $\varnothing 6.35 \times 9.5 \times 3 \text{mm}$  1



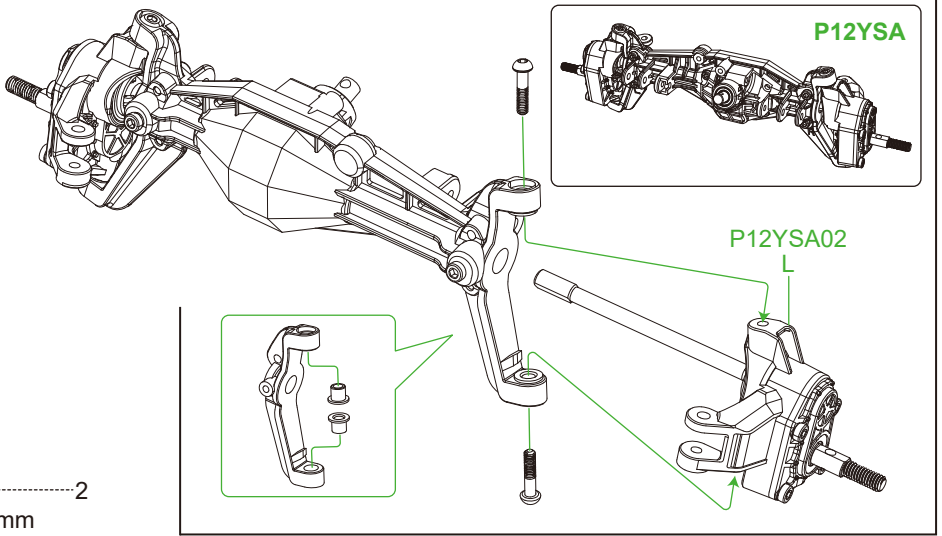
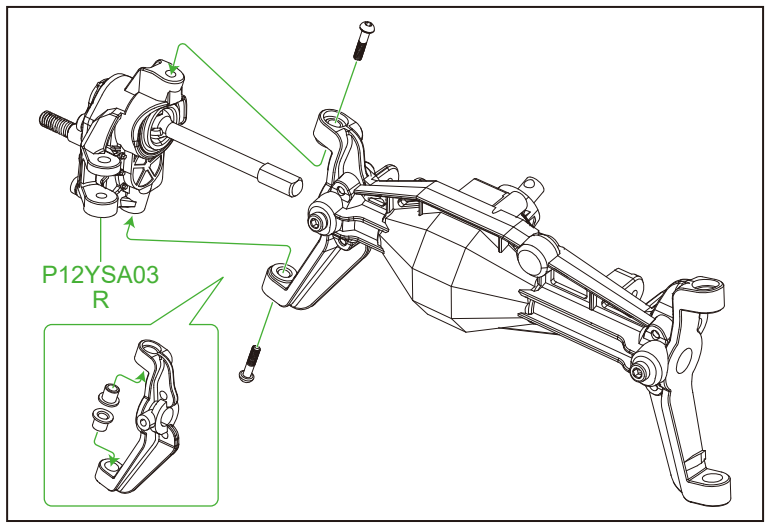
HHM2580  $\varnothing 2.5 \times 8 \text{mm}$  10

BRG593  $\varnothing 5 \times 9 \times 3 \text{mm}$  2





HTHM30115  $\varnothing 3 \times 11.5 \text{mm}$  2



HTHM30115  $\varnothing 3 \times 11.5 \text{mm}$  2

## Rear axle subassembly 后桥

HHM2580  $\varnothing 2.5 \times 8 \text{mm}$  4

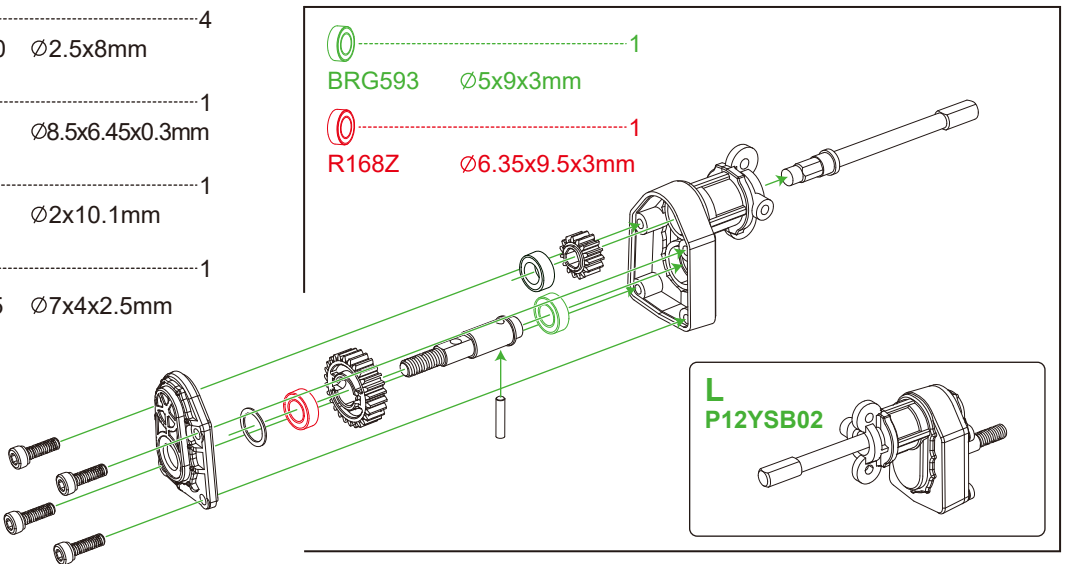
G85653  $\varnothing 8.5 \times 6.45 \times 0.3 \text{mm}$  1

M20101  $\varnothing 2 \times 10.1 \text{mm}$  1

BRG7425  $\varnothing 7 \times 4 \times 2.5 \text{mm}$  1

BRG593  $\varnothing 5 \times 9 \times 3 \text{mm}$  1

R168Z  $\varnothing 6.35 \times 9.5 \times 3 \text{mm}$  1

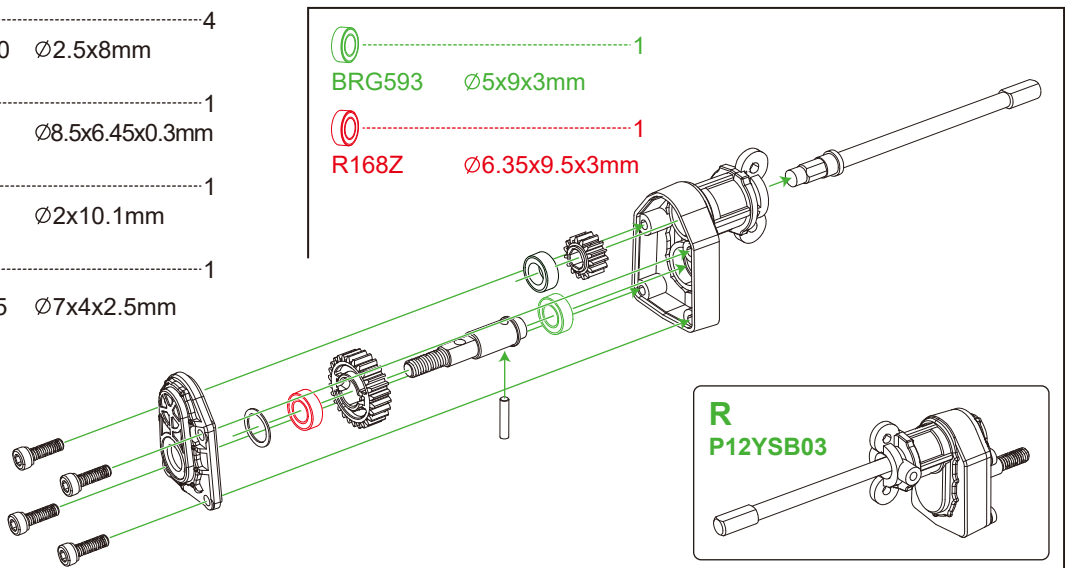


HHM2580  $\varnothing 2.5 \times 8 \text{mm}$  4

G85653  $\varnothing 8.5 \times 6.45 \times 0.3 \text{mm}$  1

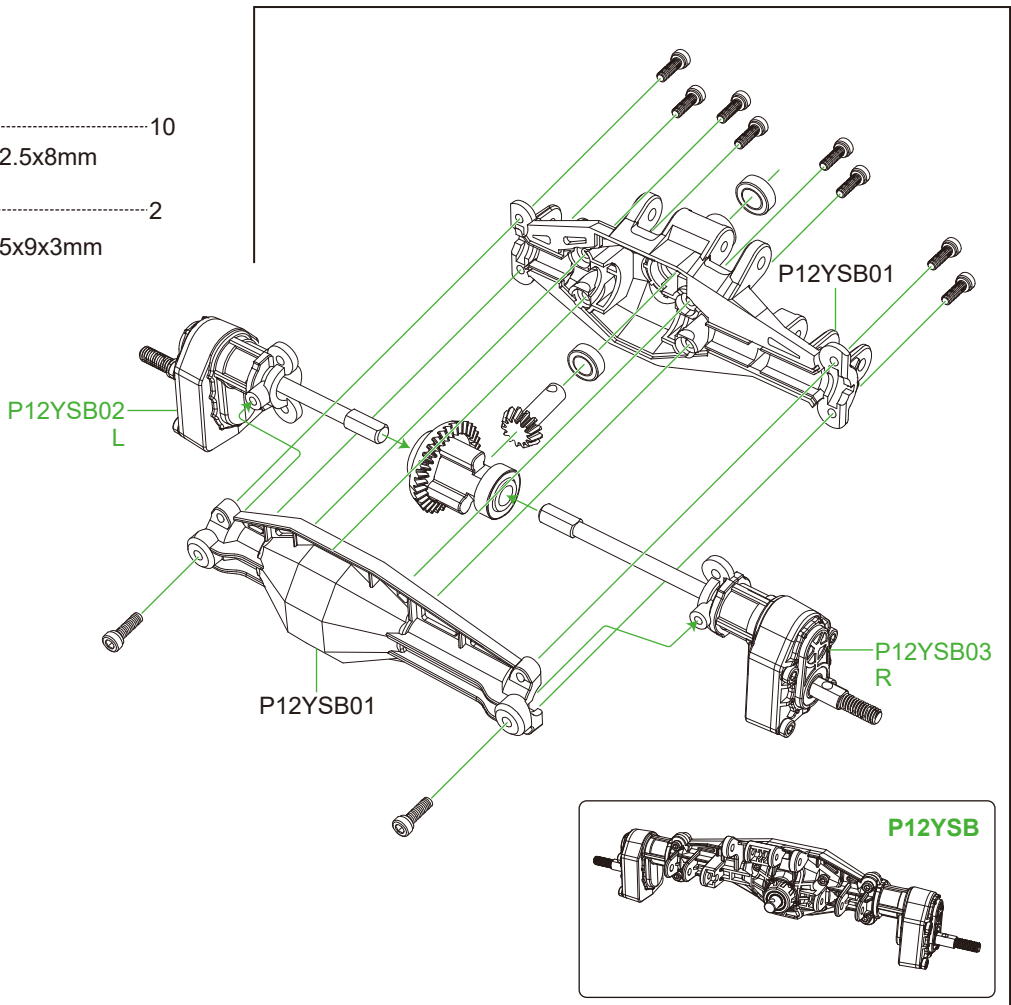
M20101  $\varnothing 2 \times 10.1 \text{mm}$  1

BRG7425  $\varnothing 7 \times 4 \times 2.5 \text{mm}$  1




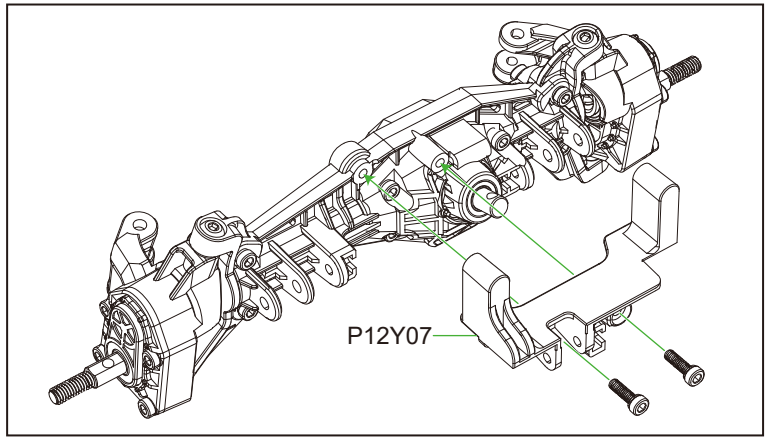
HHM2580  $\varnothing 2.5 \times 8 \text{mm}$  10


BRG593  $\varnothing 5 \times 9 \times 3 \text{mm}$  2





# Assembly on axles 桥上装配

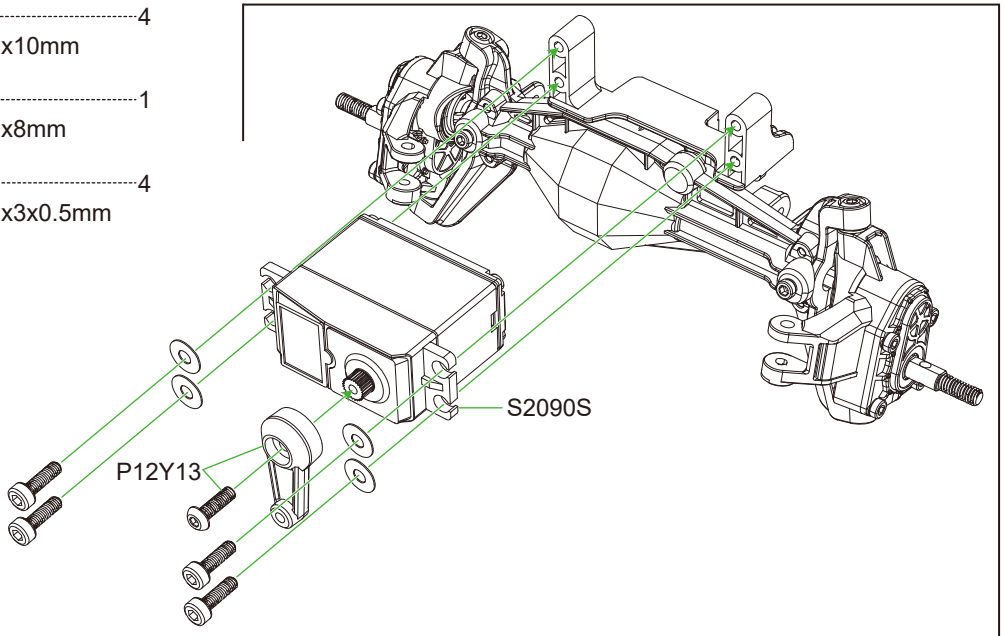
 ..... 2  
 HHM2580  $\varnothing 2.5 \times 8 \text{mm}$





 ..... 4  
 HHM3010  $\varnothing 3 \times 10 \text{mm}$

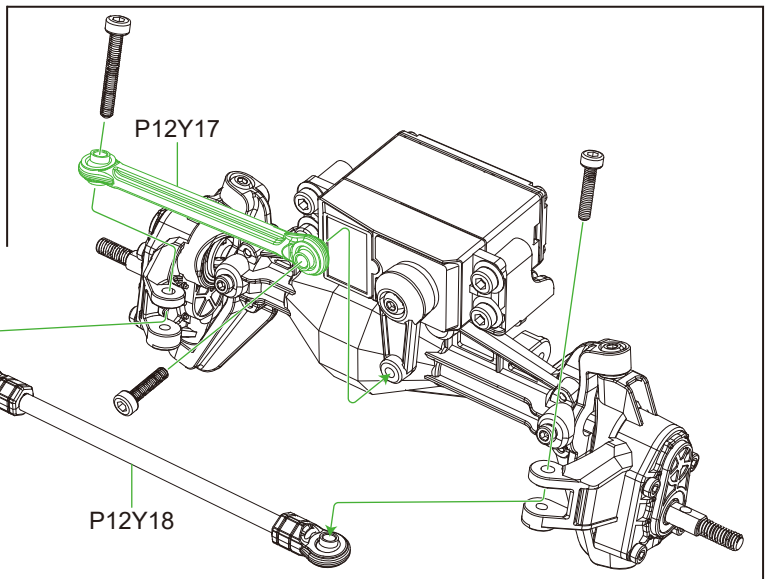
 ..... 1  
 M3080  $\varnothing 3 \times 8 \text{mm}$

 ..... 4  
 G80305  $\varnothing 8 \times 3 \times 0.5 \text{mm}$



 ..... 1  
 HHM3022  $\varnothing 3 \times 22 \text{mm}$

 ..... 2  
 HHM3014  $\varnothing 3 \times 14 \text{mm}$

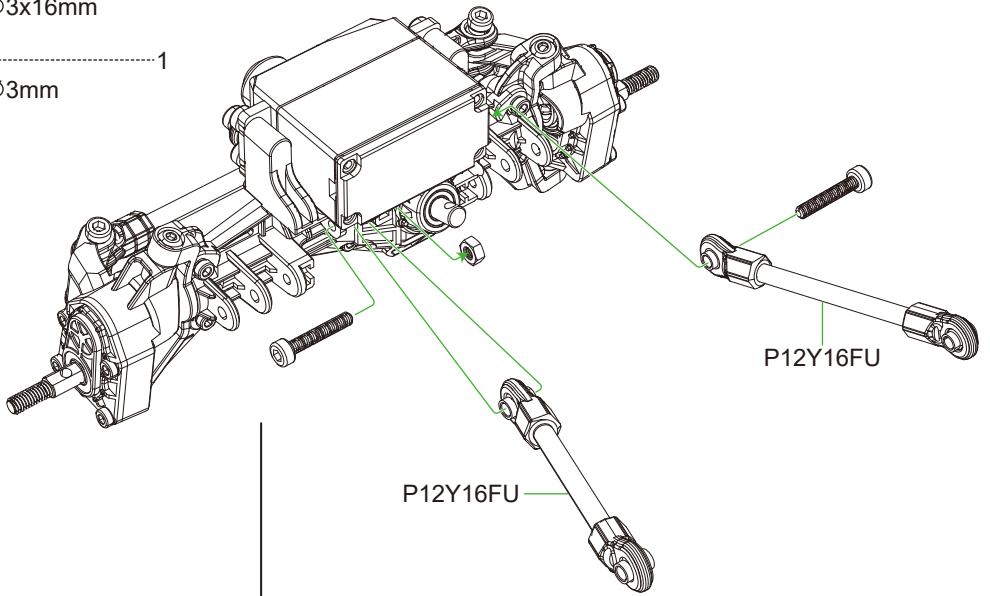


HHM3016 Ø3x16mm 2

NUT30 Ø3mm 1

HHM3016 Ø3x16mm 2

NUT30 Ø3mm 1

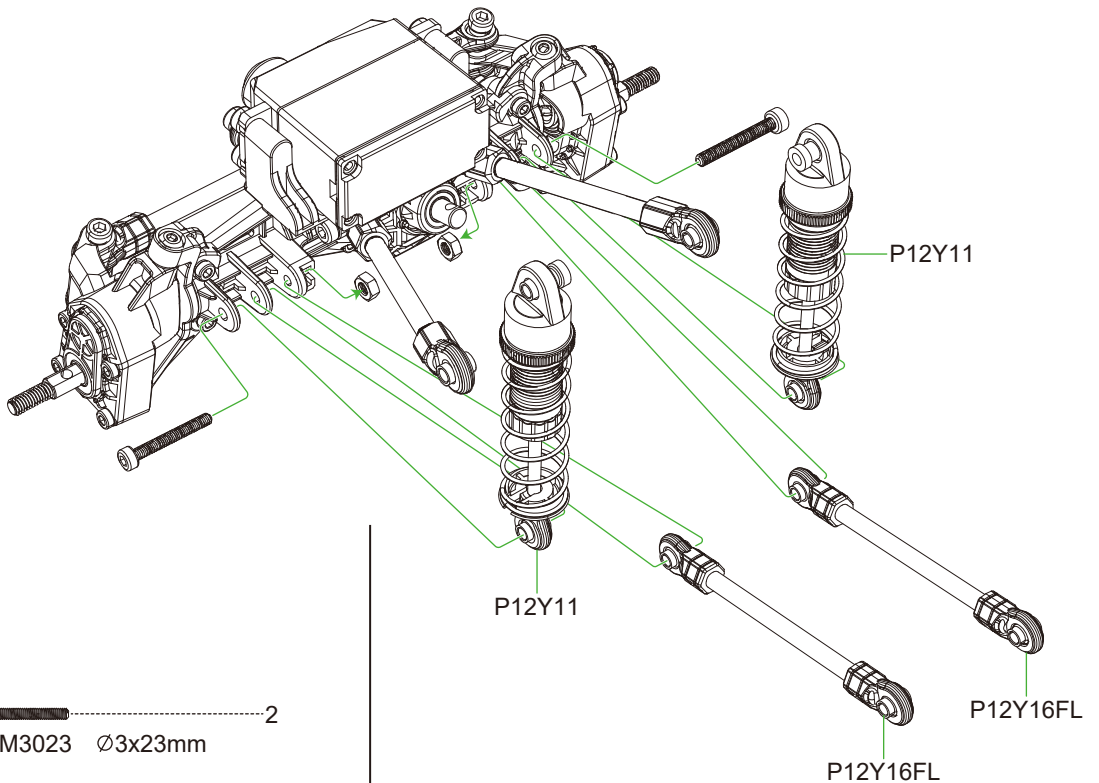


HHM3023 Ø3x23mm 2

NUT30 Ø3mm 2

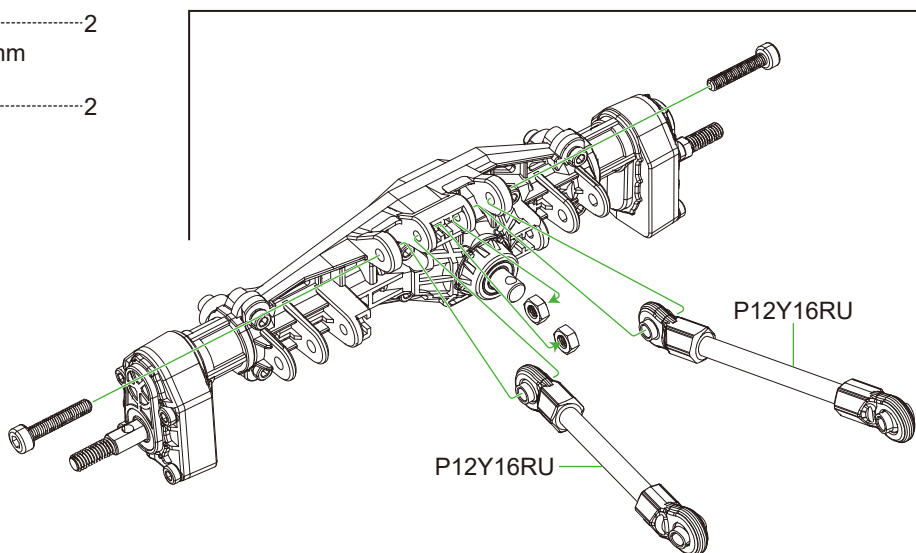
HHM3023 Ø3x23mm 2

NUT30 Ø3mm 2



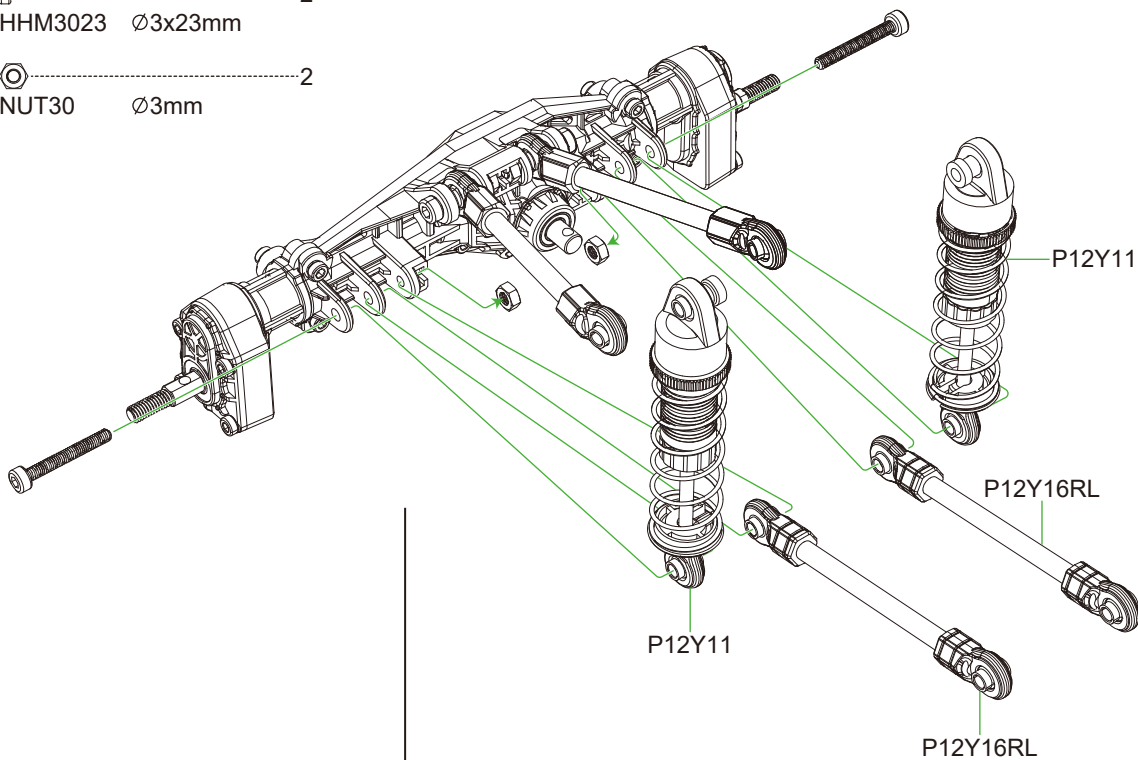
HHM3016 Ø3x16mm 2

NUT30 Ø3mm 2

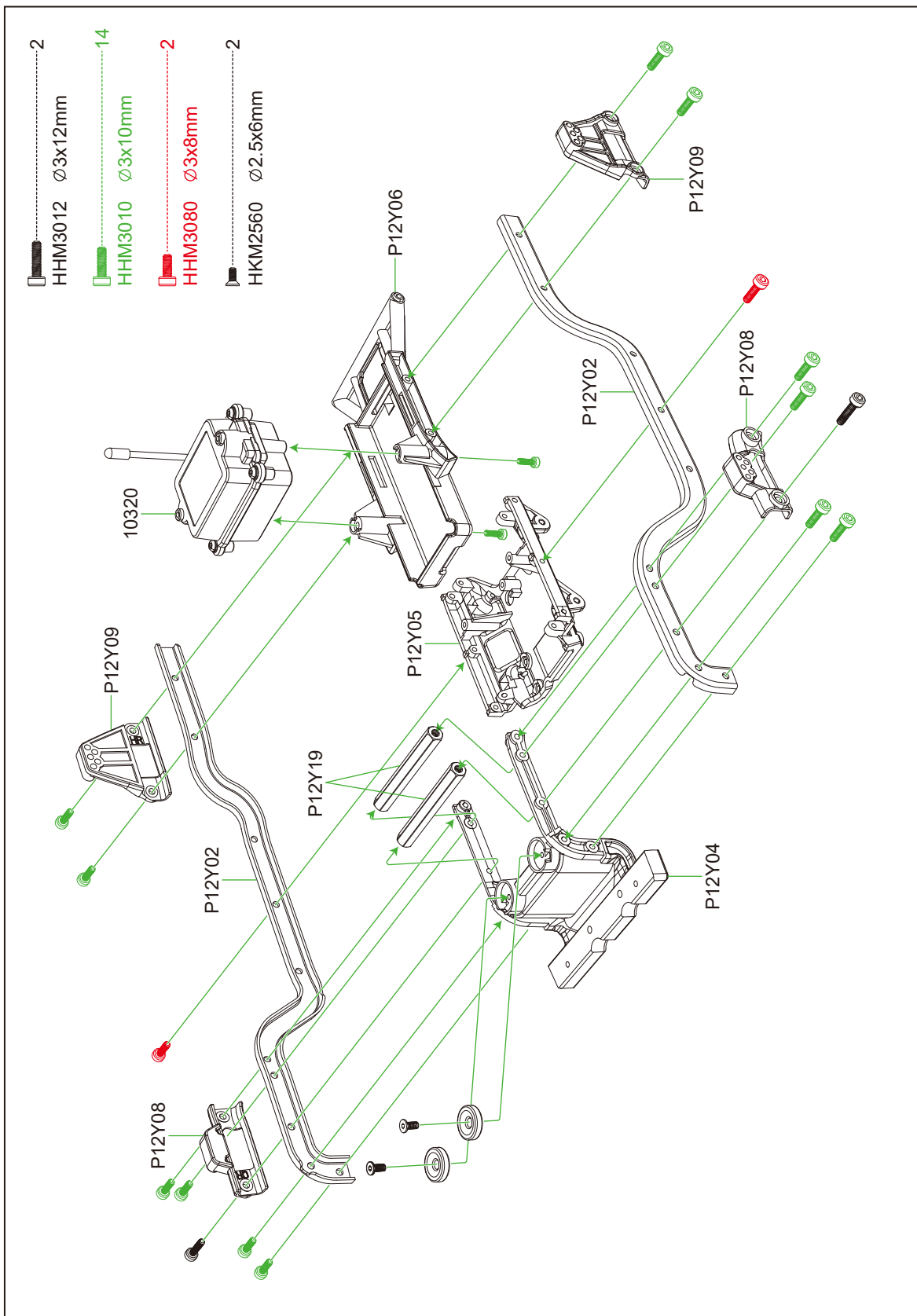


HHM3023 Ø3x23mm 2

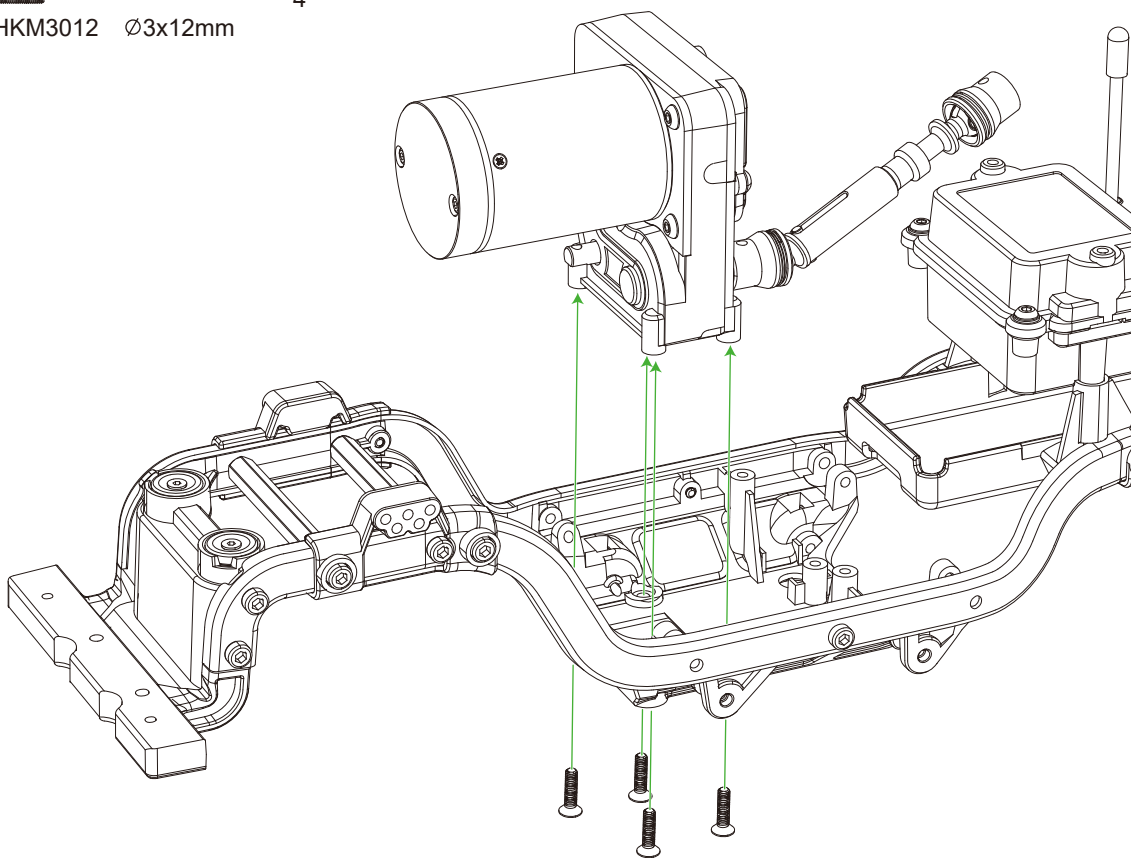
NUT30 Ø3mm 2



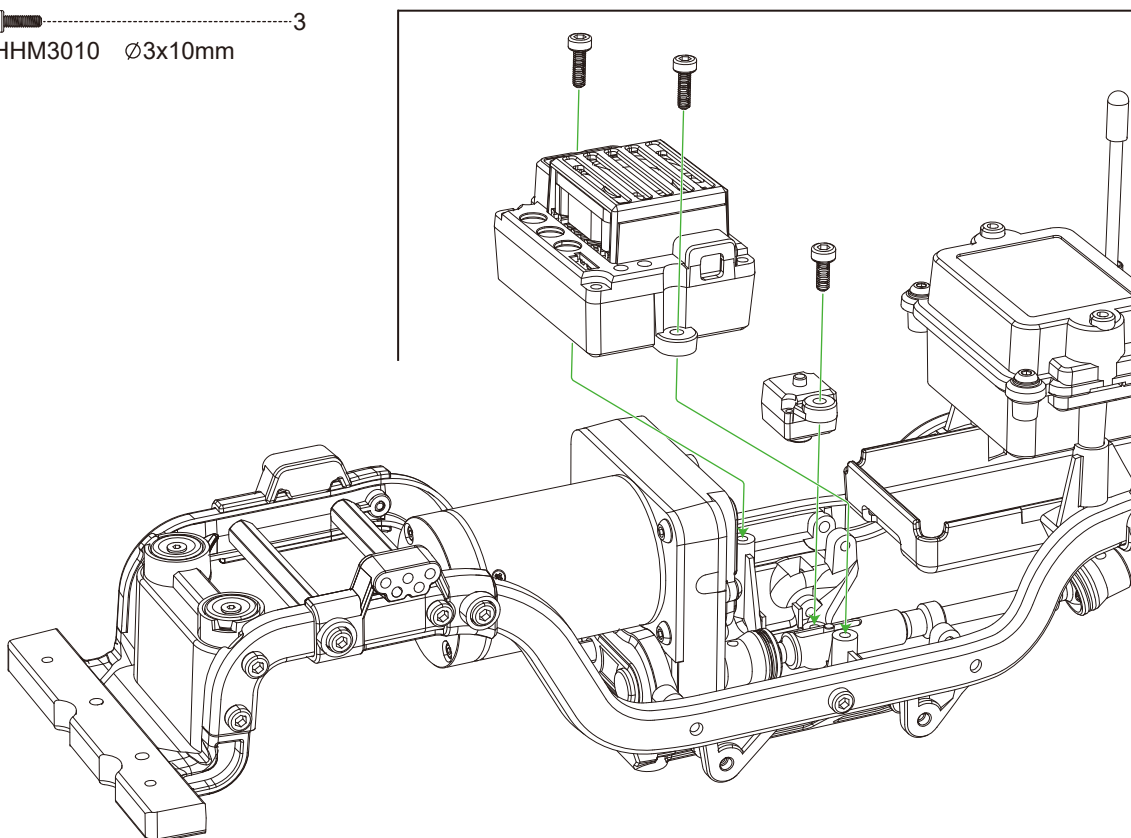
# Frame assembly 车体整装




HKM3012 Ø3x12mm 4

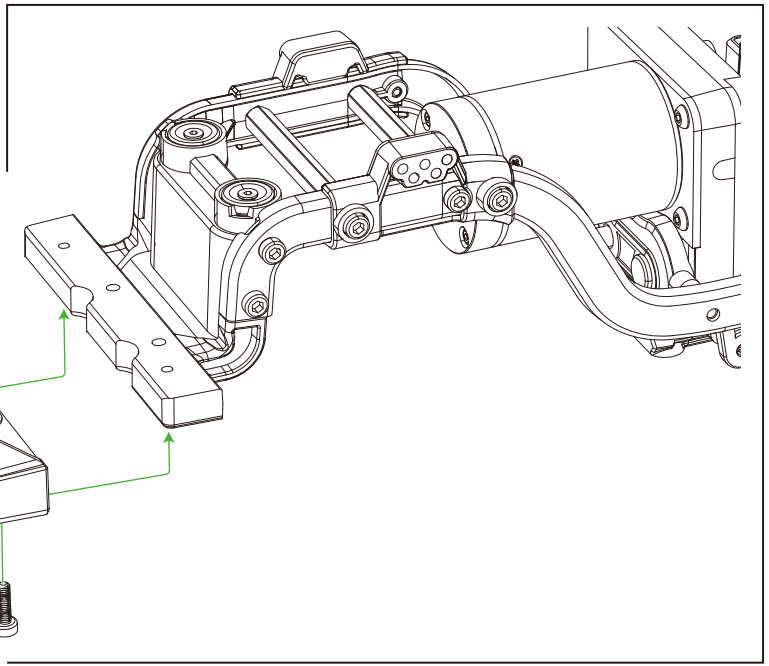



HMM3010 Ø3x10mm 3



 ..... 2  
HHM3080 Ø3x8mm


P12Y03



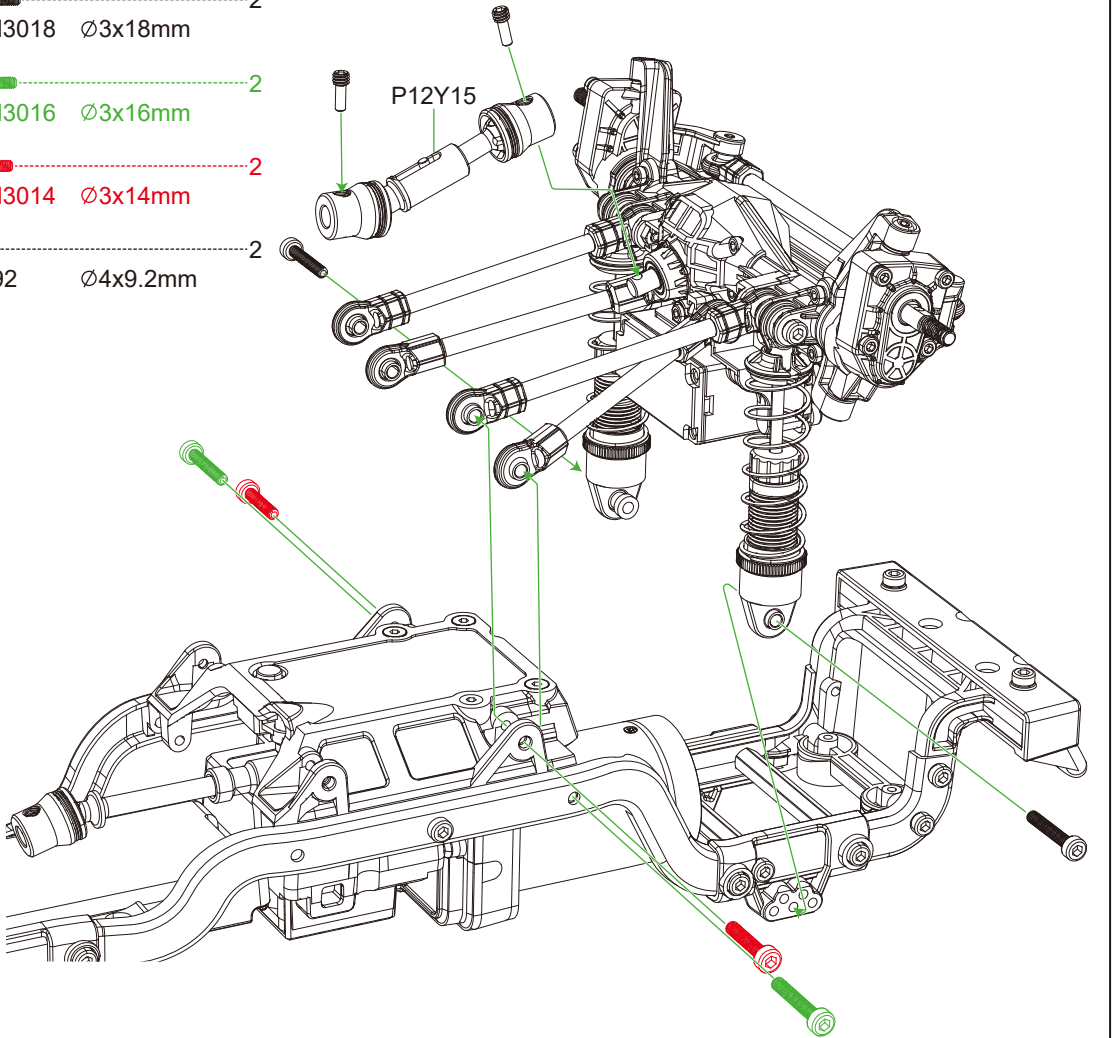
 ..... 2  
HHM3018 Ø3x18mm

 ..... 2  
HHM3016 Ø3x16mm

 ..... 2  
HHM3014 Ø3x14mm

 ..... 2  
S4092 Ø4x9.2mm

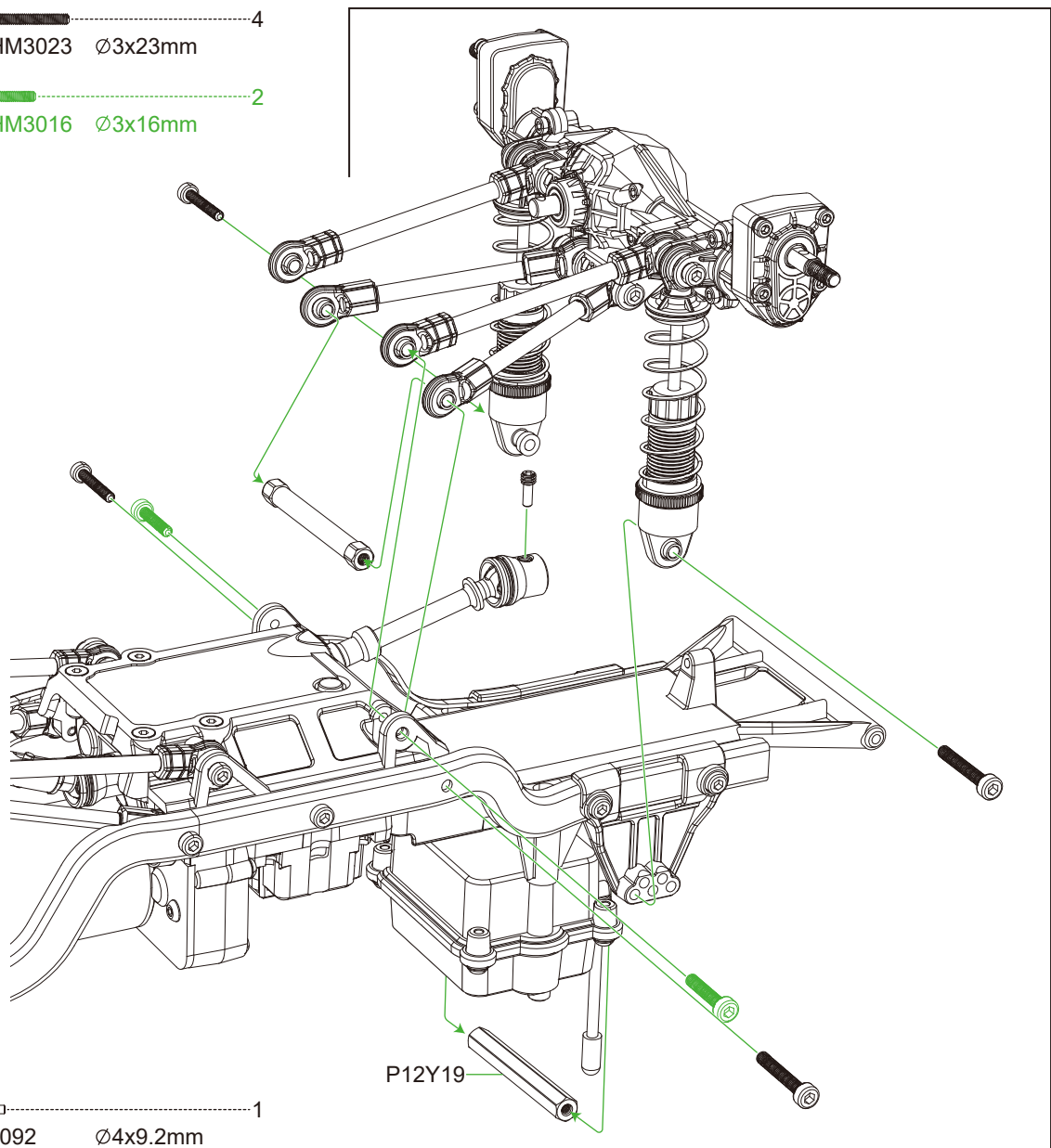
P12Y15





4  
HHM3023 Ø3x23mm

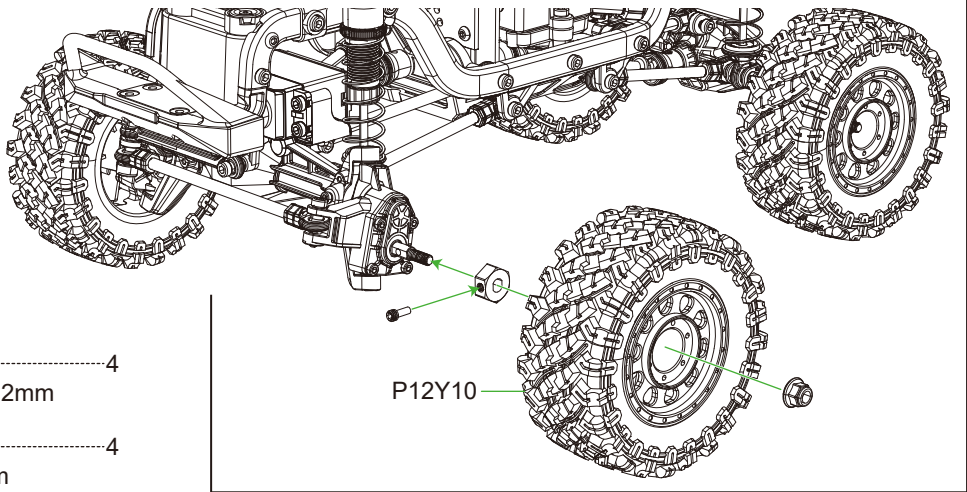
2  
HHM3016 Ø3x16mm



1  
S4092 Ø4x9.2mm

4  
S4092 Ø4x9.2mm

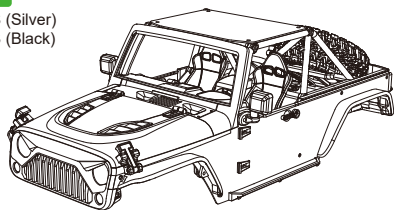
4  
M40 Ø4mm



# Accessory list 配件表

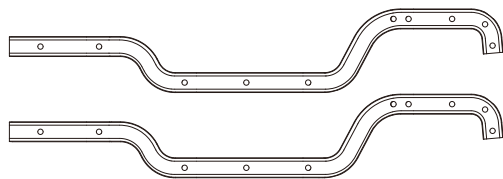
**P12Y01**

P12Y01-S (Silver)  
P12Y01-B (Black)



Body Assembly  
车壳组件

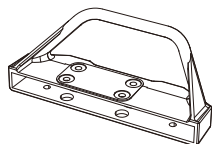
**P12Y02**



Girder  
大梁

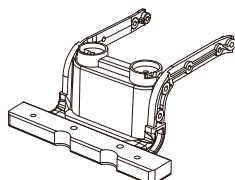
**P12Y03**

P12Y03-B (Black)



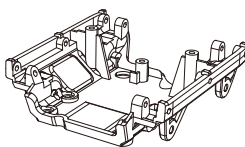
Front Bumper  
前防撞

**P12Y04**



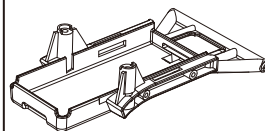
Front Mount (With Magnet)  
前固定架(含磁铁)

**P12Y05**



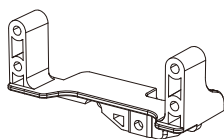
Gearbox Mount  
齿轮箱安装座

**P12Y06**



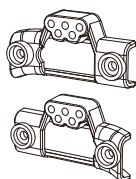
Battery Compartment  
电池仓

**P12Y07**



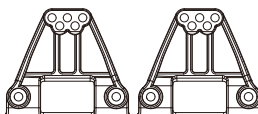
Steering Servo Mount  
转向舵机固定架

**P12Y08**



Front Shock Mount  
前避震架

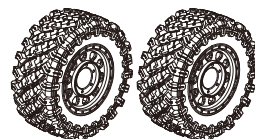
**P12Y09**



Rear Shock Mount  
后避震架

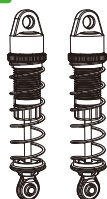
**P12Y10**

P12Y10-B (Black)



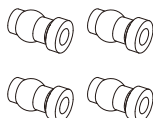
Wheel  
轮胎

**P12Y11**



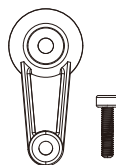
Shock  
避震

**P12Y12**



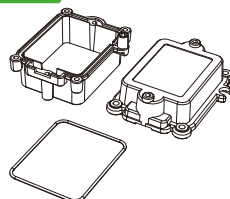
Shock Connectors  
避震固定座

**P12Y13**



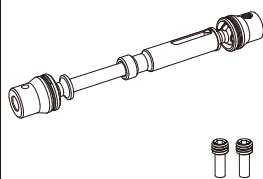
Servo Swingarm  
舵机摆臂

**10320**



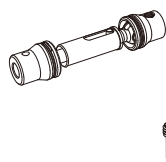
Receiver Box  
接收盒

**P12Y14**



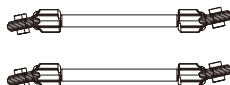
Rear Drive Shaft  
后传动轴

**P12Y15**



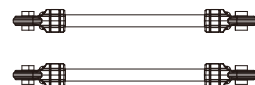
Front Drive Shaft  
前传动轴

**P12Y16FU**



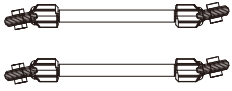
Front Upper Support Bar  
前上支撑杆

**P12Y16FL**



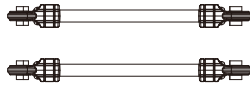
Front Lower Support Bar  
前下支撑杆

P12Y16RU



Rear Upper Support Bar  
后上支撑杆

P12Y16RL



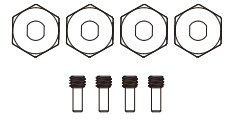
Rear Lower Support Bar  
后下支撑杆

P12Y17



Steering Arm  
转向摆臂

P8HV33



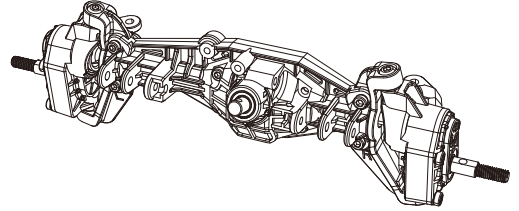
Hex Bug  
六角接合器

P12Y18



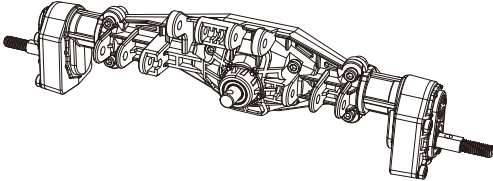
Connecting Linkage  
转向连杆

P12YSA



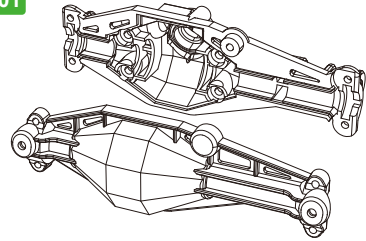
Front Axle Subassembly  
前桥组件

P12YSB



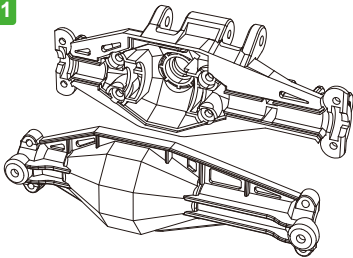
Rear Axle Subassembly  
后桥组件

P12YSA01



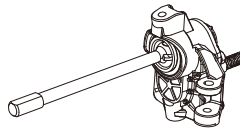
Front Axle  
前桥

P12YSB01



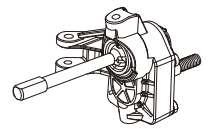
Rear Axle  
后桥

P12YSA02



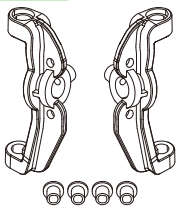
Left Front Portal Axle  
Assembly 左前门桥组件

P12YSA03



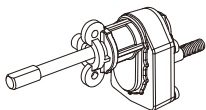
Right Front Portal Axle  
Assembly 右前门桥组件

P12YSA04



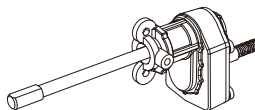
Front Axle Adapter  
前桥转接座

P12YSB02



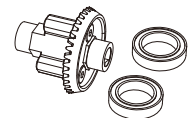
Left Rear Portal Axle  
Assembly 左后门桥组件

P12YSB03



Right Rear Portal Axle  
Assembly 右后门桥组件

P12YSA05



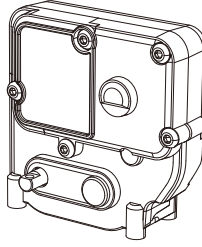
Connector  
连接器

P12YSA06



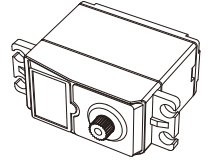
Bevel  
传动齿

P12YSC



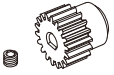
Gearbox (With gears, without motor gear)  
齿轮箱(含齿轮, 不含电机输出齿)

S2090S



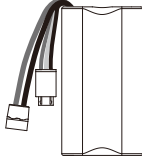
Servo  
舵机

G062ZY



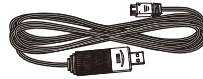
Motor Gear  
电机输出齿

B2S20



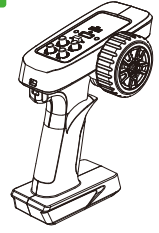
Battery  
电池

P2050



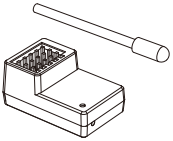
USB Charging Cable  
充电线

T4M



Transmitter  
遥控器

R4B



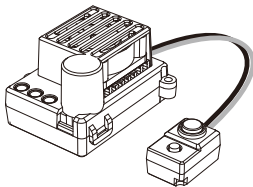
Receiver  
接收机

P12Y19



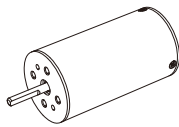
Support bar  
支撑杆

H12Y



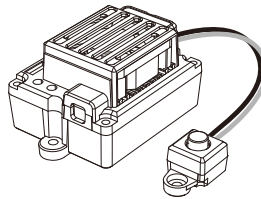
E45M

Sensorless Brushless ESC & Motor  
无感无刷ESC & 电机



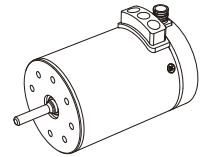
B3650L1

H12Y+



E45DMF

Sensored Brushless ESC & Motor  
有感无刷ESC & 电机



B3650D1

## Screws 螺丝

M3080	Ø3x8mm	12PCS
HTM3012	Ø3x12mm	12PCS
HHM3080	Ø3x8mm	12PCS
HKM2560	Ø2.5x6mm	12PCS
HHM2580	Ø2.5x8mm	12PCS
HTHM30115	Ø3x11.5mm	12PCS
HHM3016	Ø3x16mm	12PCS
HHM3023	Ø3x23mm	12PCS
HHM3010	Ø3x10mm	12PCS
HHM3022	Ø3x22mm	12PCS
HHM3014	Ø3x14mm	12PCS
HKM3012	Ø3x12mm	12PCS
HHM3018	Ø3x18mm	12PCS
HHM3012	Ø3x12mm	12PCS
M3030	Ø3x3mm	12PCS
S4092	Ø4x9.2mm	12PCS

## Others 其他

BRG593	Ø5x9x3mm	8PCS
R1810	Ø7.9x12.7x4mm	8PCS
BRG10154	Ø10x15x4mm	8PCS
BRG7425	Ø7x4x2.5mm	8PCS
R168Z	Ø6.35x9.5x3mm	8PCS
BRG7425	Ø7x4x2.5mm	8PCS
G85653	Ø8.5x6.45x0.3mm	12PCS
G80305	Ø8x3x0.5mm	12PCS
M2097	Ø2x9.7mm	8PCS
M20101	Ø2x10.1mm	8PCS
NUT30	Ø3mm	8PCS
M40	Ø4mm	8PCS



**MADE IN CHINA**

Instructions must be retained since it contains important information.