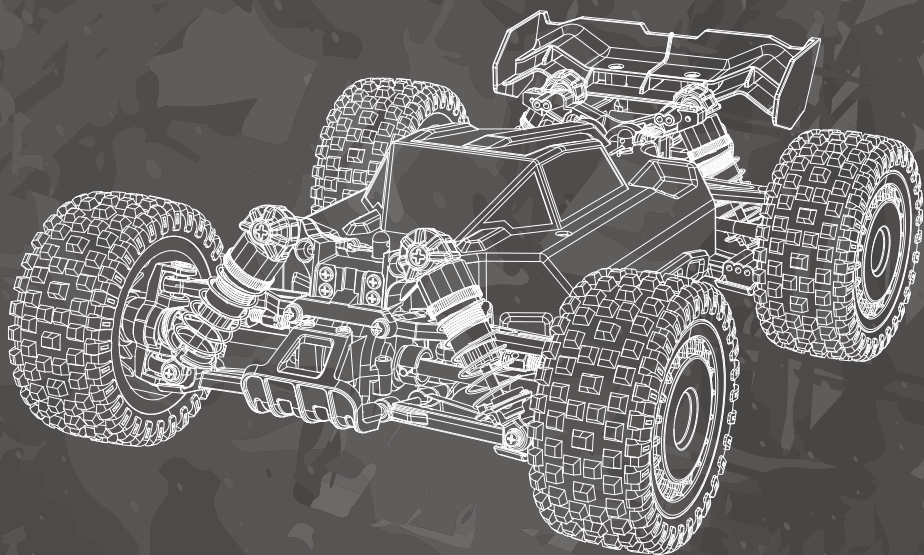


No.16207

14+

HYPER GO

1:16 RC HIGH SPEED CAR USER MANUAL



4WD
REMOTE CONTROL

The instruction sheet for this product is just for your reference. We reserve the right to make changes or adjustments on the product without prior notification. Please refer to the official information.

Warning:

Choking hazard! This product contains small parts. NOT suitable for children under 3 years. Contains electrical components and should be kept dry at all times. Regularly check the battery charger wires, plugs and shell and other components for damage. DO NOT use if any part is damaged.

Warnings & Cautions

1. Detachable small parts should be stored safely and out of reach of children.
2. If interference is experienced, turn the model off and try it again in a different area.
3. Transmitter will not function correctly if the batteries are low. Please replace the batteries.
4. Please discard old/used batteries in a safe manner. Consider your environment!
5. Please store the remote control model in cool, dry place.
6. DO NOT expose to fire or high temperatures, do not store in moist place.
7. Once the battery get wet, wipe immediately with a soft dry cloth.
If the battery any deformation, please stop using.
8. If you don't use the model for a long time, please raise the chassis to let the wheels hang in the air.


Precautions for Battery Use

1. Transmitter uses 2x1.5V "AA" batteries.
2. Please pay attention to correct polarity when replacing batteries.
3. Rechargeable batteries should be charged under adult supervision.
4. Do not mix old and new batteries. Do not mix alkaline, standard (carbon-zinc), or rechargeable batteries.
5. After the battery is exhausted, the model should be removed.
6. Exhaust battery should be safety dispose!
7. DO NOT short circuit any terminals.
8. DO NOT attempt to recharge non rechargeable batteries.
9. Remove batteries from the model when charging.
10. DO NOT put batteries into a fire or into water.
11. The rated input voltage battery charger MUST be suitable for your mains power voltage.
12. During charging it is quite normal for the charger and batteries to heat up.
13. Do not swallow battery!
14. Store only in cool, dry and dark places and should be keep out of the children!
15. When the battery leaks the liquid and let it into you eyes, please right away rinse them and consult an ophthalmologist.

Safety Precautions

- It is a radio control model, not a toy!
- In order to enjoy running the car, you need to finish assembly before operation. Do routine maintenance work after operation. Replacement parts and option parts are available separately.
- Improper usage with Alkaline cells or rechargeable batteries may damage the electronics for the car or the radio.

In order to operate the car safely. Be sure that you have observed the following points:

 Please follow the points as below in order to prevent accident from happening to the car and people.



- Be sure to read thoroughly the manual before you begin. Fresh user should seek advice from people having rich experience in order to assemble the model correctly.



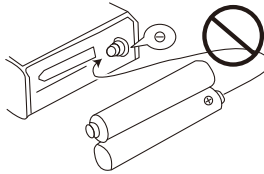
- Cutters, nippers and screwdrivers need careful handling.



- As the product contains small and sharp parts, assemble and store this product only in places out of the reach of children.




- Do not expose this model to high temperature, humidity or direct sunlight.



- Never reverse connection/ disassemble the battery. This may lead to damage and leakage.

- When the model is not in use, always turn off the receiver and transmitter. Further more, disconnect the batteries and remove them from the model and the transmitter. This may be dangerous such as overheat and leakage.

Operating Your Model Safely

 Do NOT operate the model in the following places and situations. (Non-observance may lead to accident!)

- Operate your model in spacious and safe areas! Do not operate it:
 1. On road!
 2. In places where children and many people gather.
 3. In residential districts and parks!
 4. Do not operate the model on public roads, in crowded places and near infant as it may cause accidents.
 5. Indoors and in limited space! Non-observance may result in personal injury and property damage!
- The car must stop immediately and check for the reasons when it is operating abnormal. As long as the problem is not cleared, do NOT operate it! This may lead to further trouble and unforeseen accidents!
- Always check the radio batteries!
With weak dry batteries, transmission and reception of the radio would fall off. You may lose control of your model in such condition. This may also cause serious accidents!
- Keep in mind that people around you may also operate a radio control model!
NEVER share the same frequency with somebody else at the same time! Otherwise, Radio signals will be mixed up and you will lose control to your model. This may lead to accidents.
- Do NOT put fingers or any objects inside rotating and moving parts!
- Right after use, do NOT touch the motor! Danger of burning yourself!

FCC PART 15 B Notice: CAUTION

Warning: Changes or modifications to this unit not expressly approved by the party responsible for compliance could void the user's authority to operate the equipment.

NOTE: This equipment has been tested and found to comply with the limits for a Class B digital device, pursuant to Part 15 of the FCC Rules. These limits are designed to provide reasonable protection against harmful interference in a residential installation. This equipment generates, uses and can radiate radio frequency energy and, if not installed and used in accordance with the instructions, may cause harmful interference to radio communications.

However, there is no guarantee that interference will not occur in a particular installation. If this equipment does cause harmful interference to radio or television reception, which can be determined by turning the equipment off and on, the user is encouraged to try to correct the interference by one or more of the following measures:

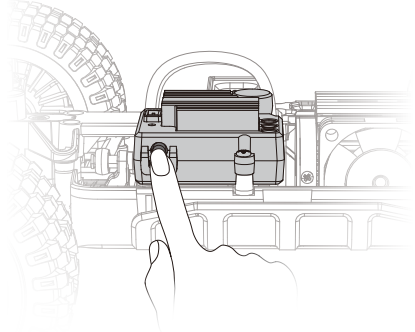
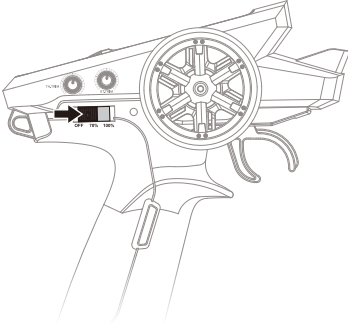
- Reorient or relocate the receiving antenna.
- Increase the separation between the equipment and receiver.
- Connect the equipment into an outlet on a circuit different from that to which the receiver is connected.
- Consult the dealer or an experienced radio/TV technician for help.

This device complies with Part 15 of the FCC Rules. Operation is subject to the following two conditions:

- (1) this device may not cause harmful interference, and
- (2) this device must accept any interference received, including interference that may cause undesired operation.

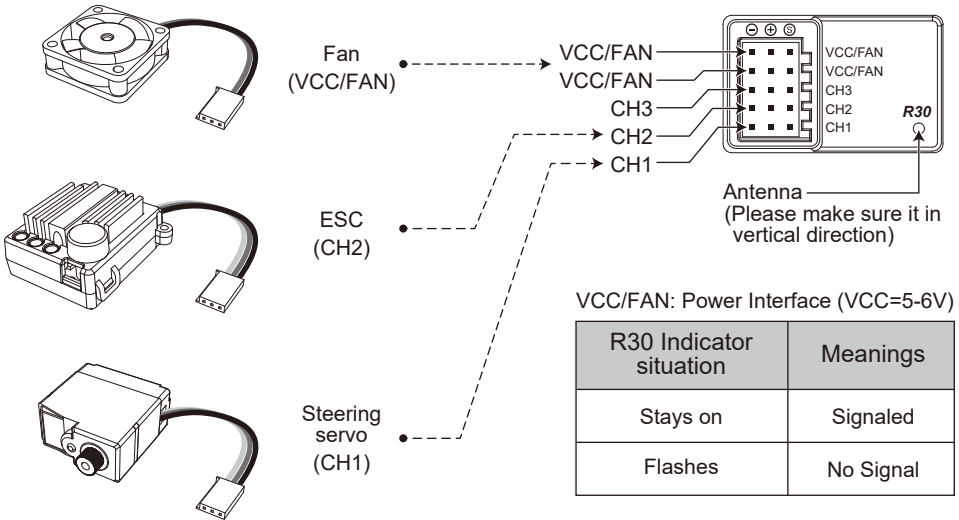
Power Switch

1. Turn on the power switch of the transmitter, the signal indicator light of transmitter flashes.
2. Press the power button of high speed car, which is on the side of the ESC; the indicator light of high speed car flashes.
3. When the indicator light stays on, the high speed car can be operated to play.



- ⚠️
- When turn on the transmitter, please DO NOT touch the throttle and steering. After turn on the transmitter's power, please operate after the indicator light of transmitter staying on.
 - Please comply the principle of "turn on the transmitter firstly, then turn on the high speed car".
 - In the frequency matching, please make sure there is only one pair of transmitter and high speed car in matching at the same time, otherwise the frequency will match wrongly.

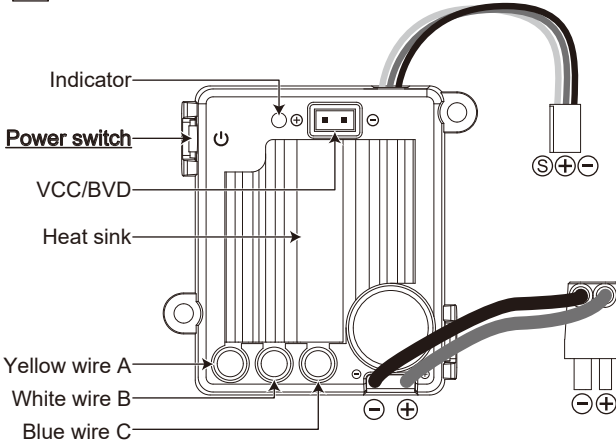
R30 Receiver



⚠️ Warning: Please make sure the connection is correct.

E45A Brushless ESC

 Please Do Not forcible/reversely insert all sockets.

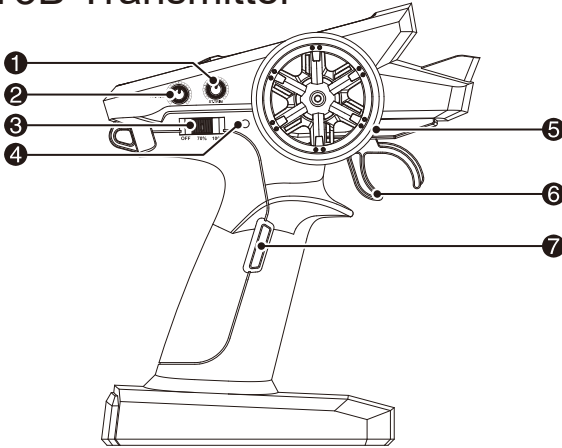


E45A Indicator light situation	Meanings
Stays on	Signaled
Flash quickly	a. No signal b. Pull the trigger
Flash slowly	Low voltage
Flash twice	Over heat protection
Off	Stuck protection

VCC: Powered by battery circuit. Please provide the same voltage as the connected battery. It can be used as cooling fan power power. Please make sure the battery voltage of the ESC is in the range of fan's.

BVD: Receivers with BVD function can be directly connected to this interface through an adapter cable, which is equivalent to connecting a battery.

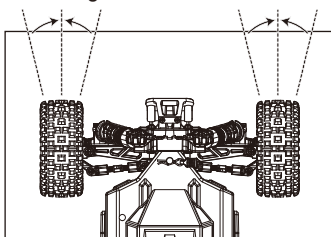
T3B Transmitter



- ① ST.TRIM
(Steering servo trimmer)
- ② TH.TRIM (Throttle trimmer)
- ③ Power switch
(OFF-70%TH-100%TH)
- ④ Indicator light
- ⑤ CH1: ST (Steering)
- ⑥ CH2: TH (Throttle)
- ⑦ CH3: Fn

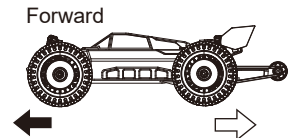
①ST.TRIM (Steering servo trimmer)

If the car cannot go straightly during driving, it can be adjusted through the ST.TRIM.

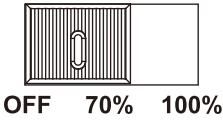


②TH.TRIM (Throttle trimmer)

If the car can't be stop when the TH in the middle place, you can adjust the button to stop the car.



③ Power/Speed switch



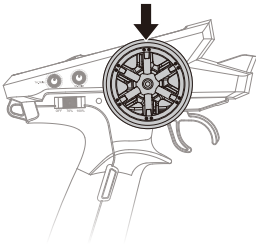
OFF 70% 100%
 (70% Throttle) (100% Throttle)

④ Indicator light

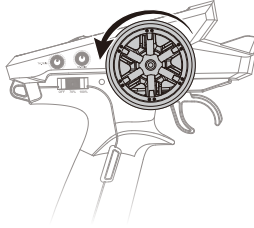
Stays on	Working well
Flash quickly	Frequency mating
Flash slowly	Low battery of transmitter

⑤ CH1: ST (Steering)

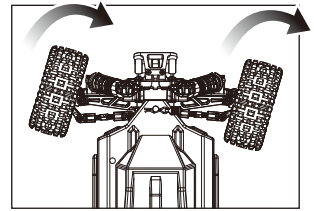
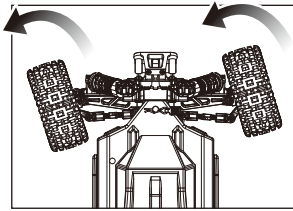
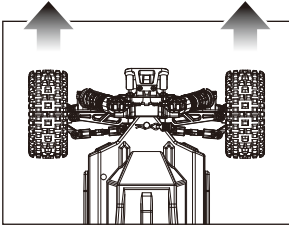
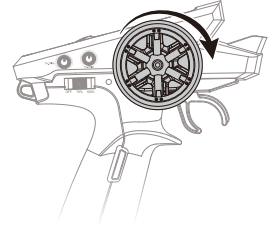
Middle



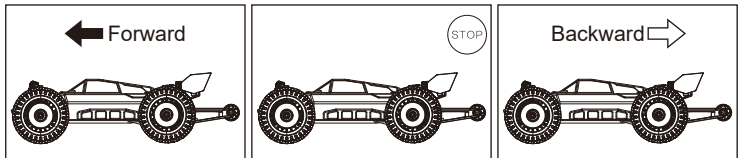
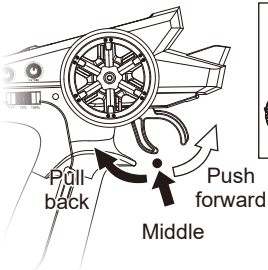
Turn left



Turn right



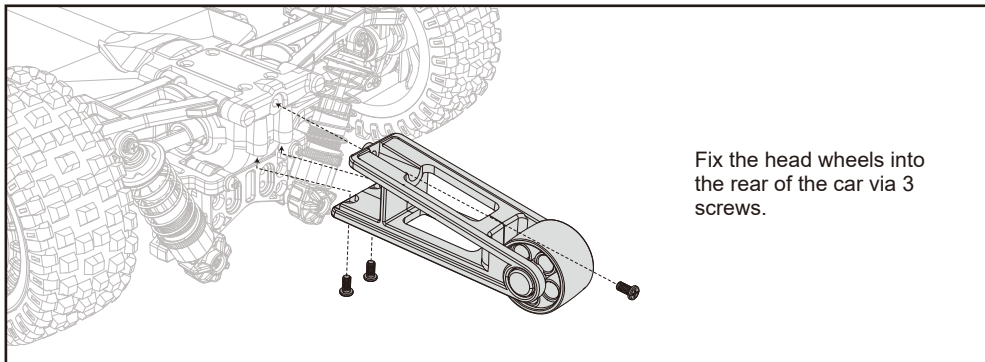
⑥ CH2: TH (Throttle)



Brake: When the car is going forward, pull the transmitter trigger back, and the car enters into the braking state. After the trigger is in the middle, push back again, and the car can move backward.

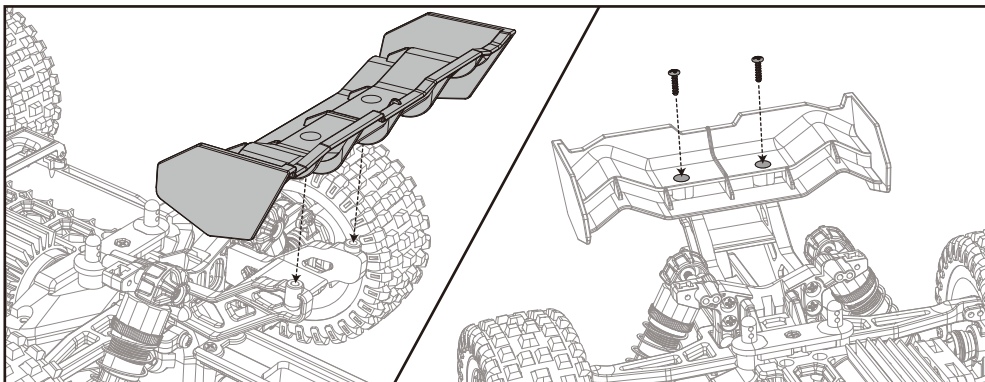
*When the car is in reverse situation, it does not the brake function.

Install the Head Wheels



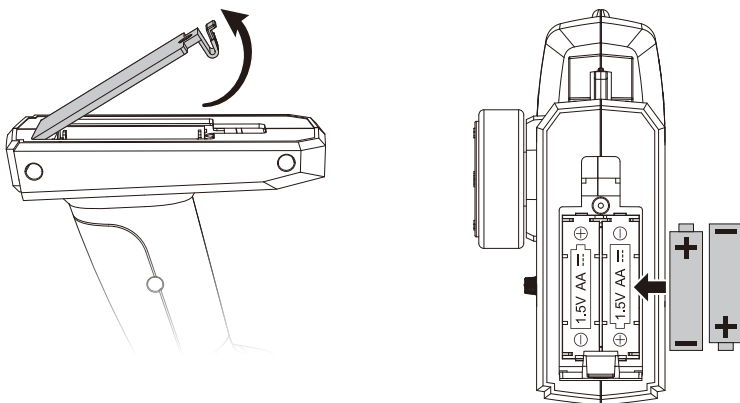
Install the Tail

Install the tail to the body, lock with 2 screws.



Install the Transmitter's Battery

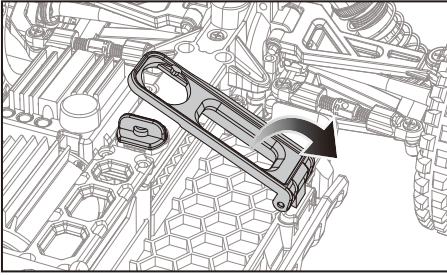
Open the transmitter's battery cover, insert 2 AA batteries according to the indicated positive and negative direction, close the battery cover.



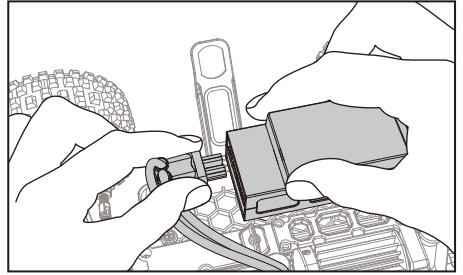
Install Battery and Charge Battery

Install the battery

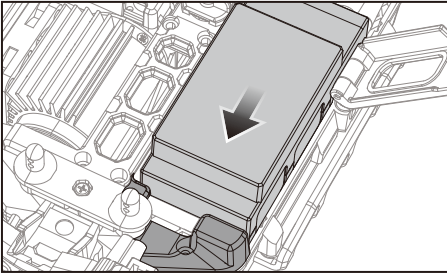
- ① Turn the battery lock knob and flip up the cover;
- ② Connect the receiver plug to the battery;
- ③ Put the battery into the battery holder and make sure it is in place;
- ④ Flip back the cover and turn the knob to lock it.



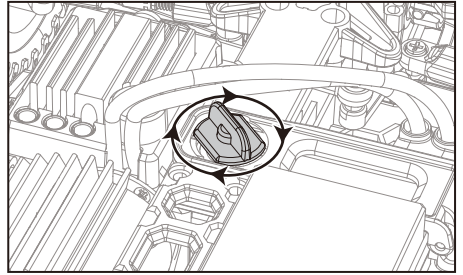
①



②



③



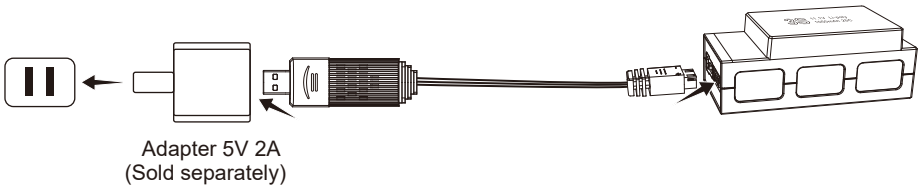
④

Charge

If charging with a 5V 2A USB adapter.

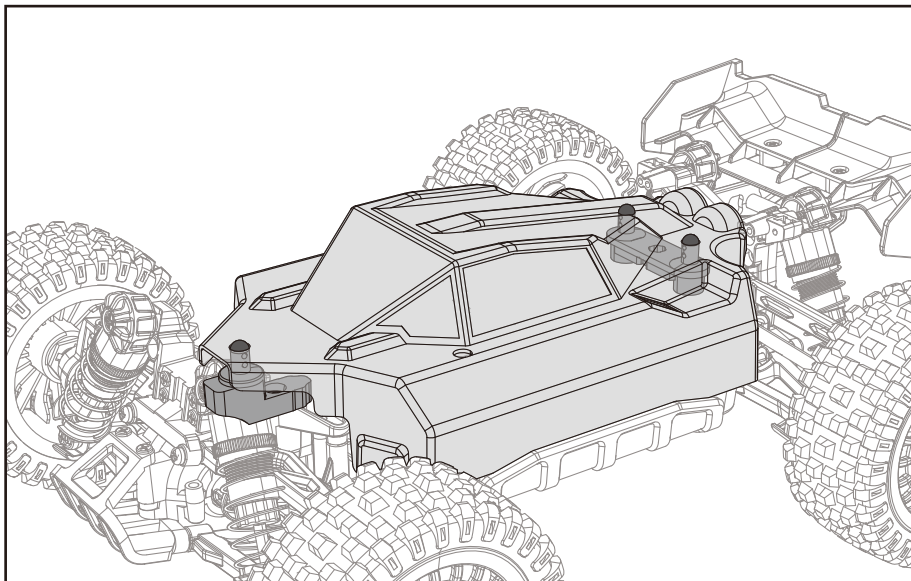
- When charging, the indicator light of charger is green and flashes;
- When the battery is fully charged, the green indicator light of the charger stays on.

*The above charging time data is based on the test result of 5V 2A adapter. Using different specifications of adapters or power supply equipment will affect the actual charging time. It is recommended to use a 5V 2A adapter for charging.

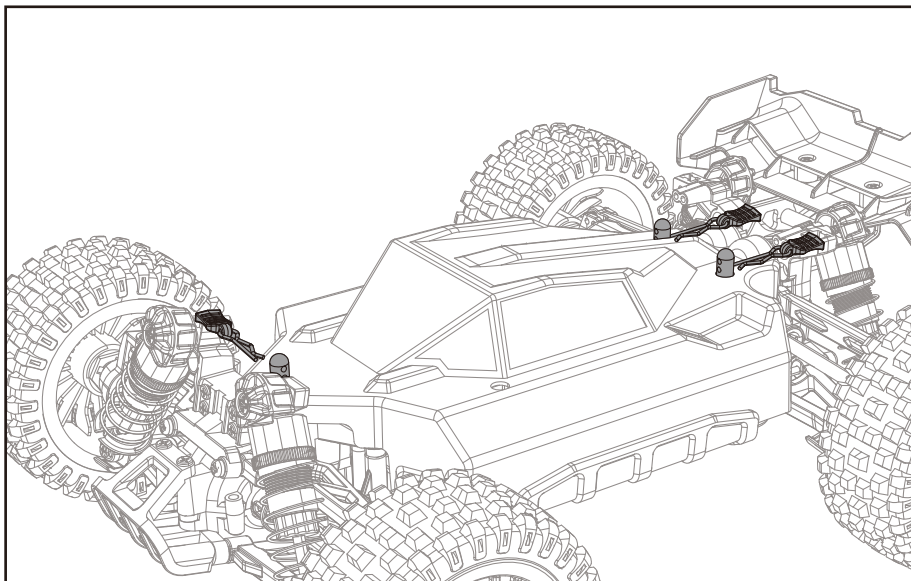


Install Car Shell

1. Align the 3 holes of the car shell with holders, then install it.



2. Insert the 3 clips into the holes to lock the car body.



16200 Front Swing Set

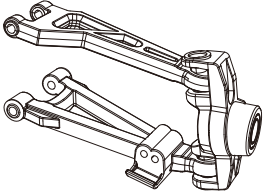
Screw:

M26124 Ø2.6x12.5mm 2PCS

Countersunk flat head screws



16200



Bearing:

R168Z

Ball bearing

2PCS

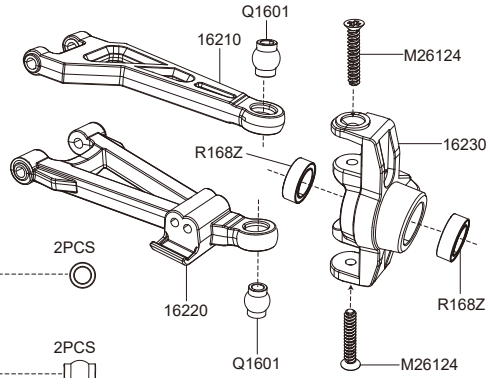


Pivot balls:

Q1601

Steering pivot balls

2PCS



16202 Rear Swing Set

Screw:

M23124 Ø2.3x12mm 1PCS

Countersunk flat head screws



Bearing:

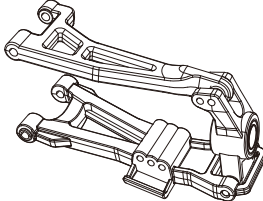
R168Z

Ball bearing

2PCS



16202



Rear hub pins:

M2523

Rear hub pins

1PCS

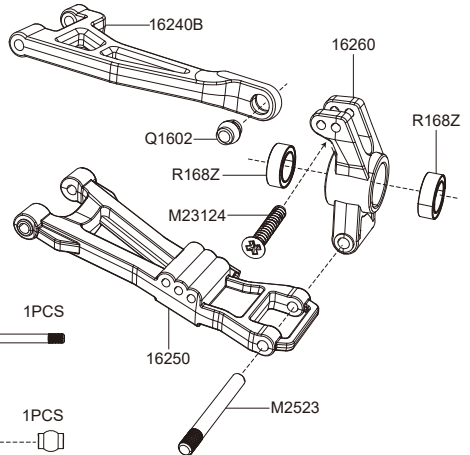


Pivot balls:

Q1602

Steering pivot balls

1PCS



16400 Metal Gears Main Driving Set

Bearing:

R168Z

Ball bearing

2PCS



R1810

Ball bearing

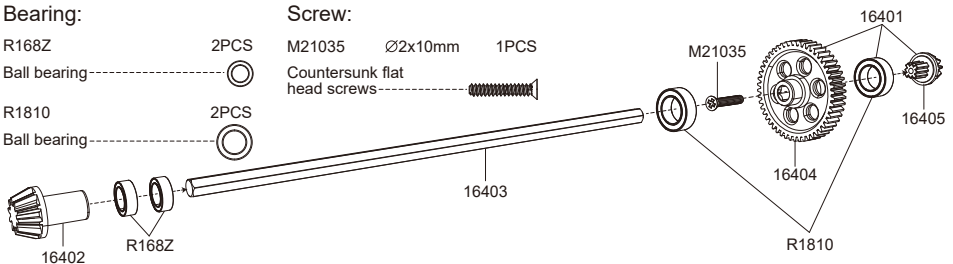
2PCS



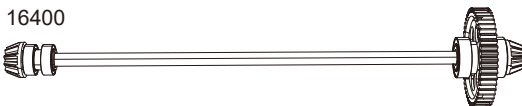
Screw:

M21035 Ø2x10mm 1PCS

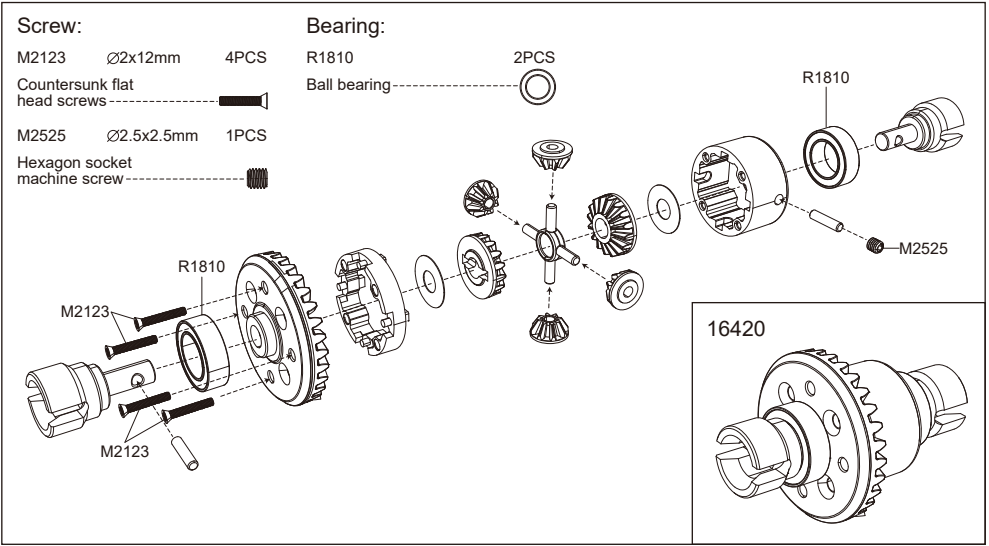
Countersunk flat head screws



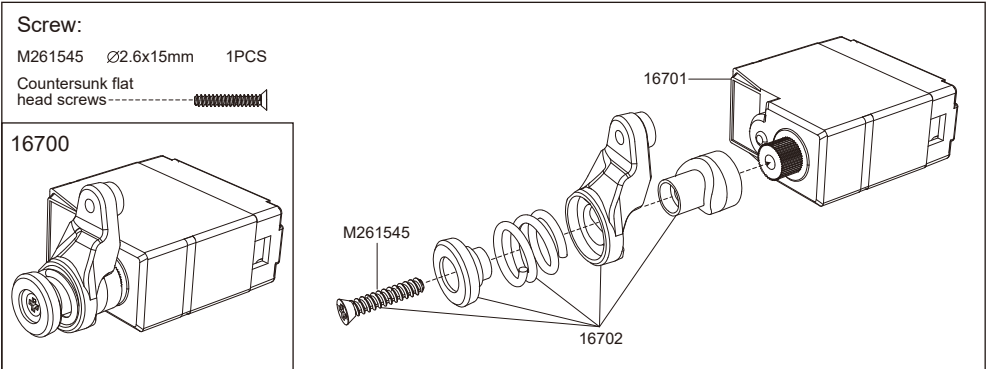
16400



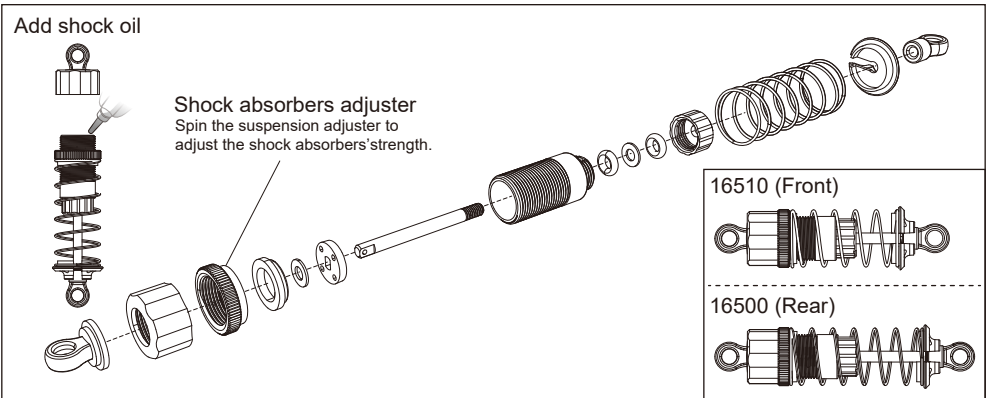
16420 Metal Gears Diff Assembly



16700 Servo Assembly



16500/16510 Metal Oil Filled Shocks



B284C & 16397C Motor Assembly

Screw:

M25845 Ø2.5x8mm 2PCS (16393)

Countersunk flat head screws

M3066 Ø3x6mm 2PCS (16393B)

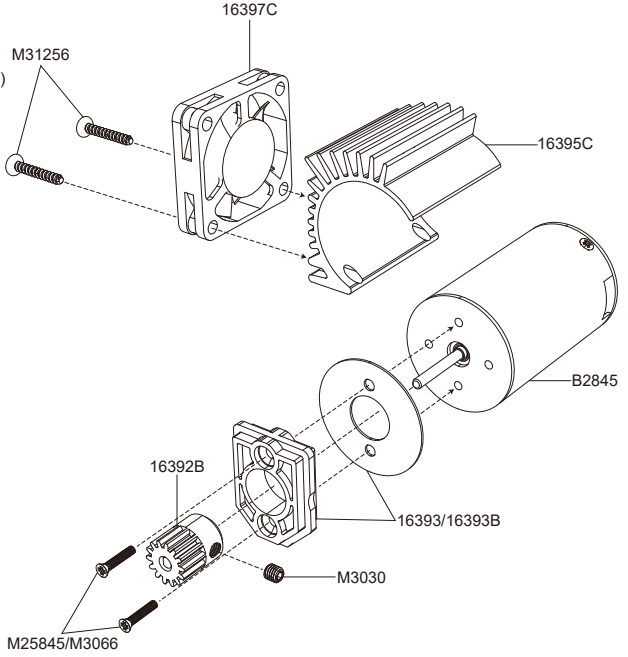
Countersunk flat head screws

M31256 Ø3x12.5mm 2PCS

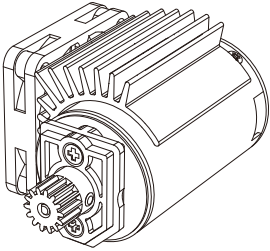
Machine screws

M3030 Ø3x3mm 1PCS

Hexagon socket machine screw



B284C & 16397C



16430S Steering Assembly

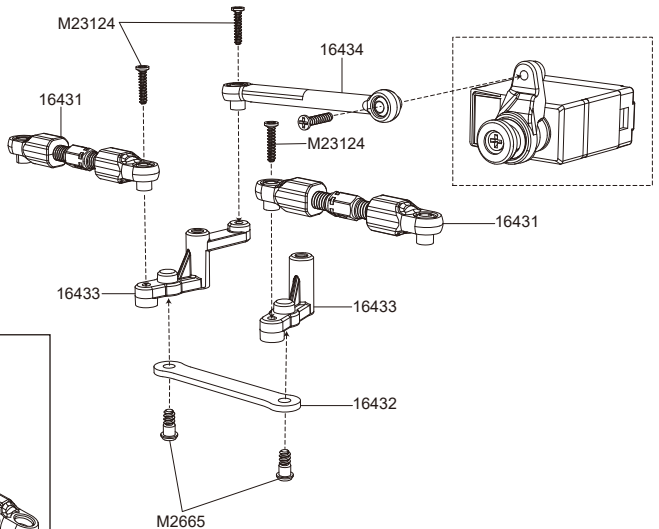
Screw:

M23124 Ø2.3x12mm 3PCS

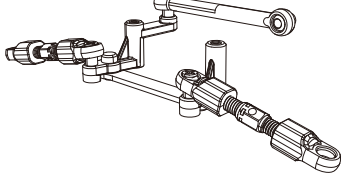
Countersunk flat head screws

M2665 Ø2.6x6.5mm 2PCS

Step flat screws



16430S



High Speed Car Assemble

Screw:

M2384 $\varnothing 2.3 \times 8 \text{mm}$ 4PCS

Round head screws ----- 

M2664 $\varnothing 2.6 \times 6 \text{mm}$ 2PCS

Round head screws ----- 

M26104 $\varnothing 2.6 \times 10 \text{mm}$ 10PCS

Round head screws ----- 

M23104 $\varnothing 2.3 \times 10 \text{mm}$ 6PCS

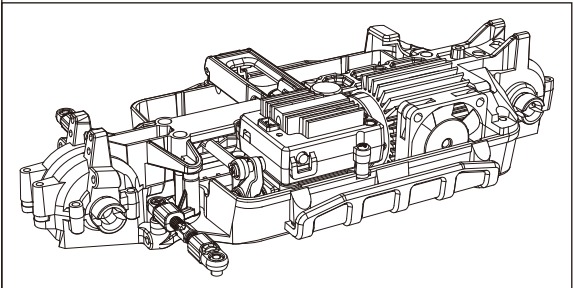
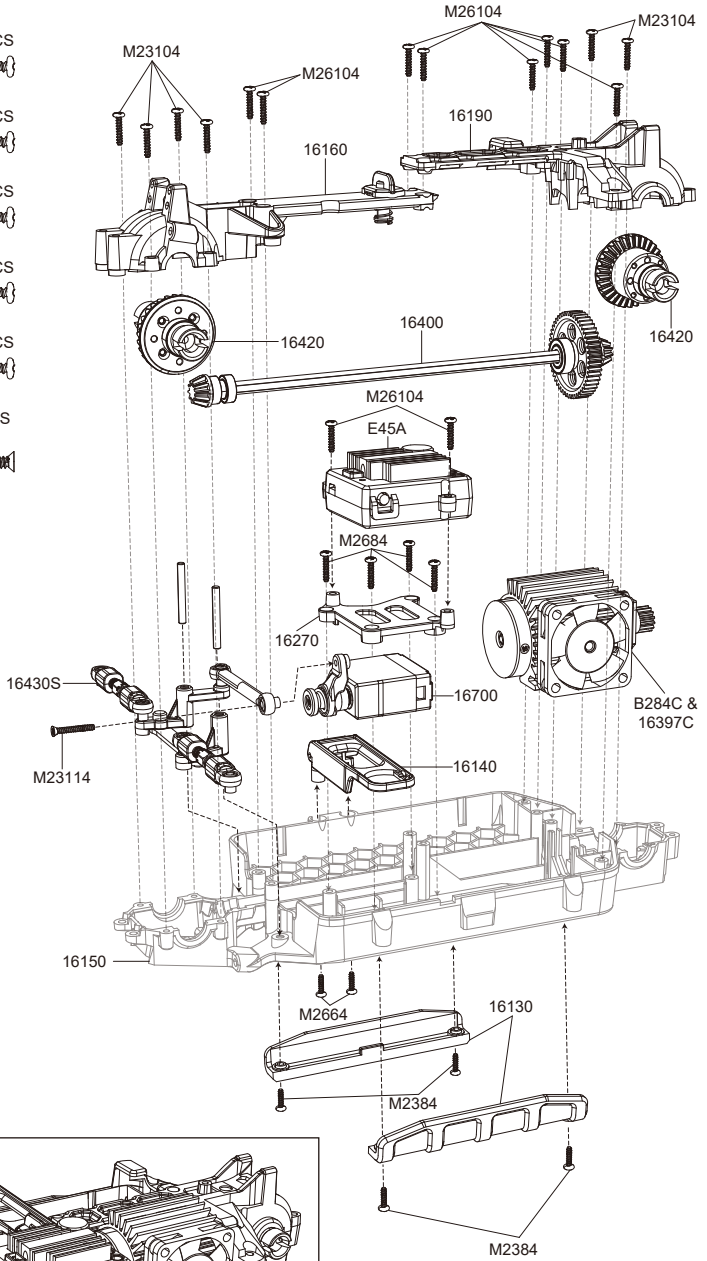
Round head screws ----- 

M2684 $\varnothing 2.6 \times 8 \text{mm}$ 4PCS

Round head screws ----- 

M23114 $\varnothing 2.3 \times 11 \text{mm}$ 1PCS

Countersunk flat head screws ----- 



High Speed Car Assemble

Screw:

M23124 $\varnothing 2.3 \times 12\text{mm}$ 1PCS (2PCS)

Countersunk flat head screws 

M3294 $\varnothing 3 \times 29\text{mm}$ 4PCS

Round head half thread screws 

M26154 $\varnothing 2.6 \times 15\text{mm}$ 1PCS

Countersunk flat head screws 

M23104 $\varnothing 2.3 \times 10\text{mm}$ 4PCS

Round head screws 

M2684 $\varnothing 2.6 \times 8\text{mm}$ 6PCS

Round head screws 

M26104 $\varnothing 2.6 \times 10\text{mm}$ 4PCS

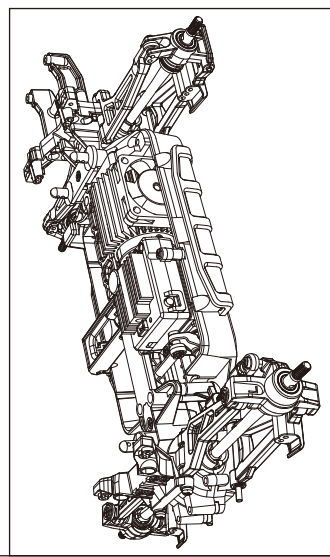
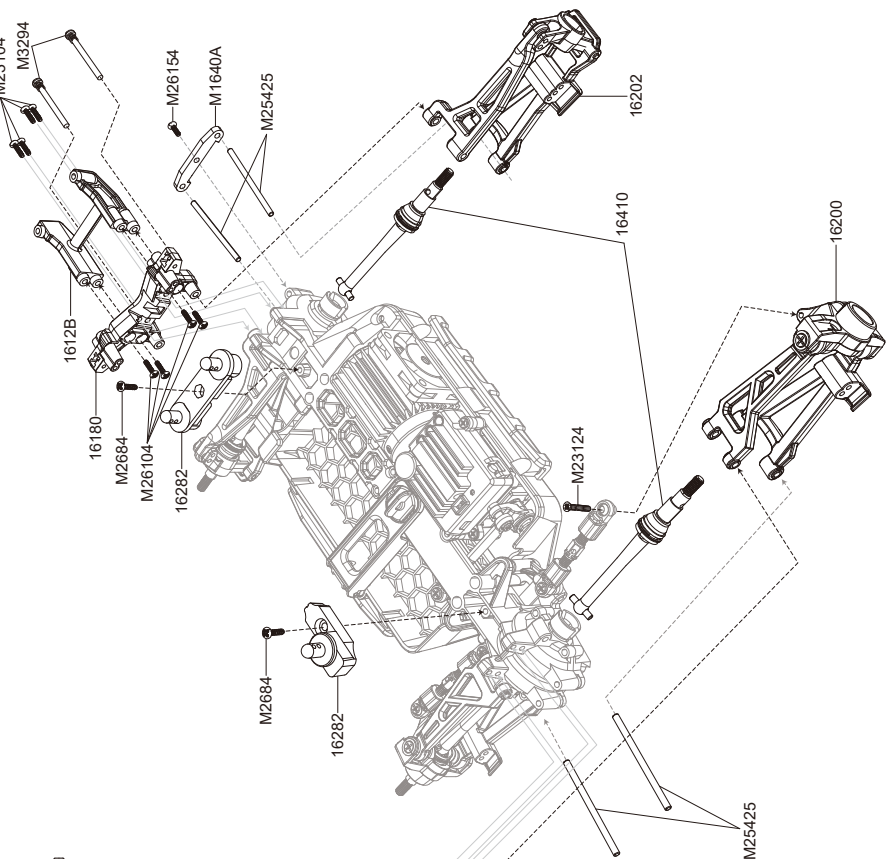
Round head screws 

Iron shaft:

M25425




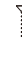

Lower swing arm fixed shaft 

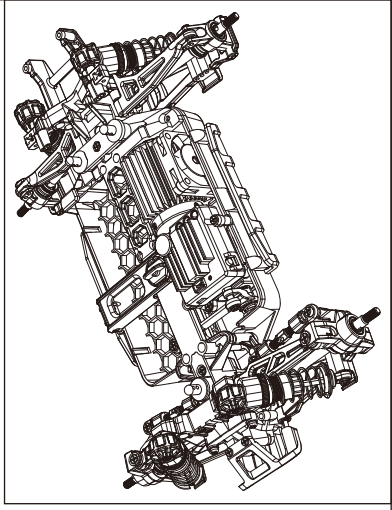
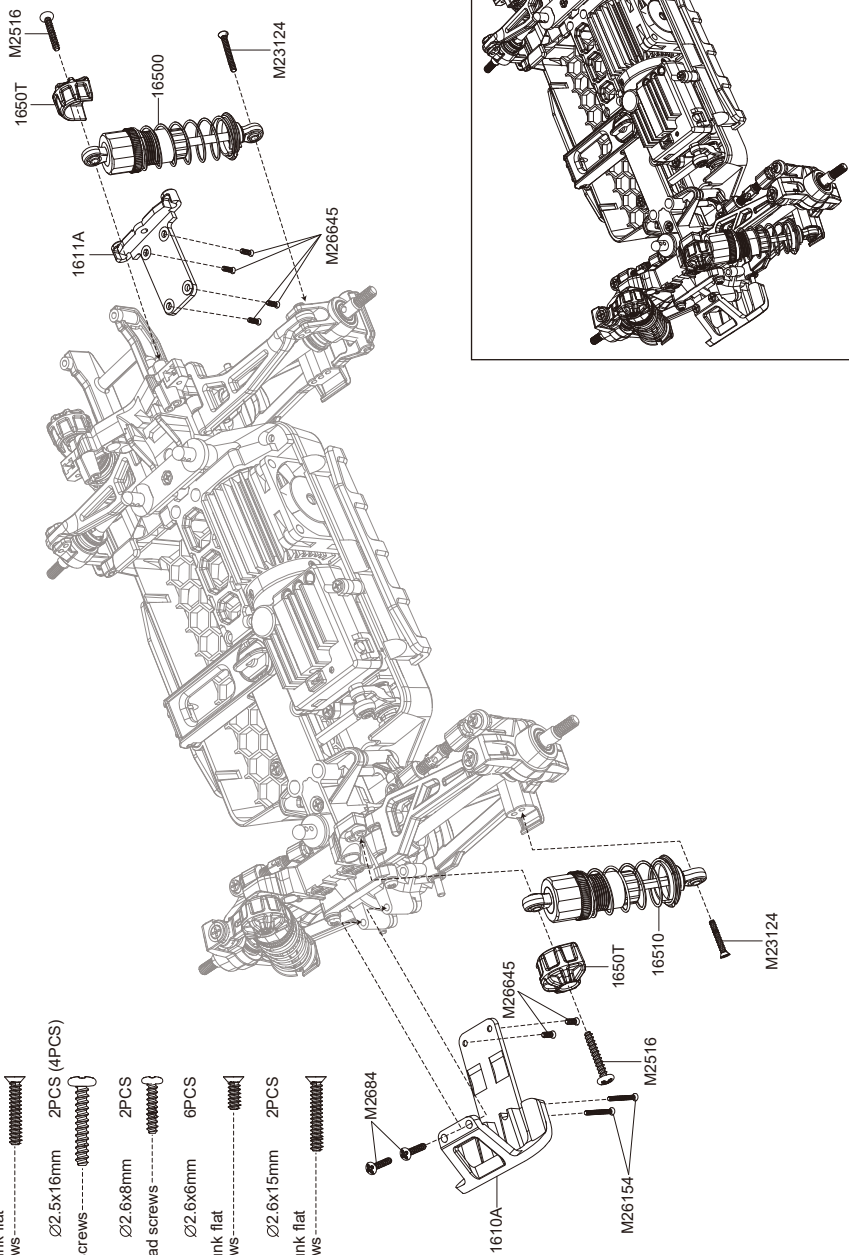
4PCS



High Speed Car Assemble

Screw:

M23124	Ø2.3x12mm	2PCS (4PCS)
Countersunk flat head screws		
M2516	Ø2.5x16mm	2PCS (4PCS)
Machine screws		
M2684	Ø2.6x8mm	2PCS
Round head screws		
M26645	Ø2.6x6mm	6PCS
Countersunk flat head screws		
M26154	Ø2.6x15mm	2PCS
Countersunk flat head screws		




High Speed Car Assemble

Iron shaft:

M20101 1PCS (4PCS)


Wheel hex pins ----- 

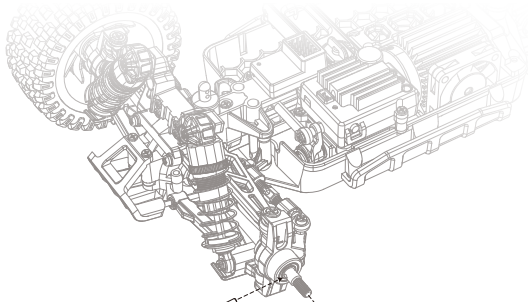
16440 1PCS (4PCS)

Wheel hex ----- 

Nut:

M40 1PCS (4PCS)

M4 Wheel lock nut ----- 

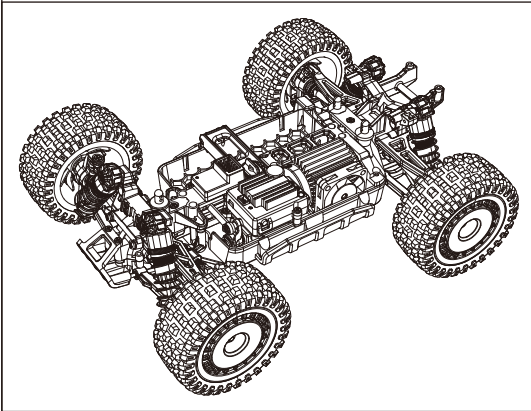


M20101

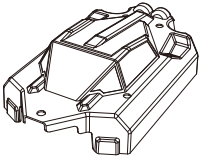

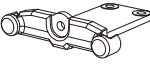
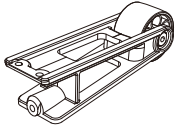

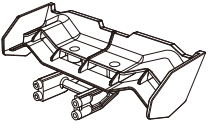

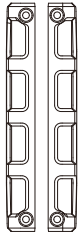

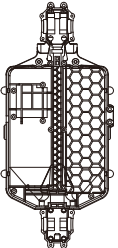
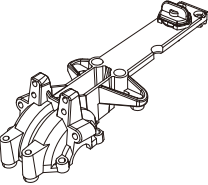
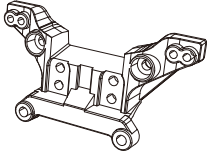
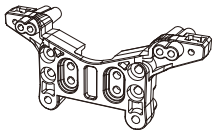
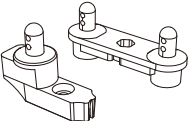
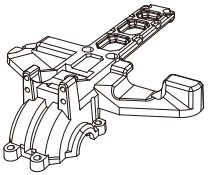
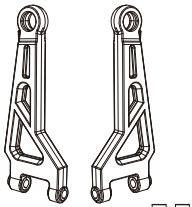

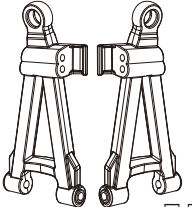

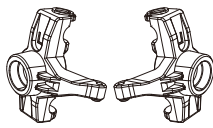
16440

16300C

M40



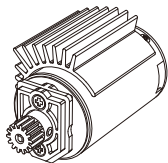
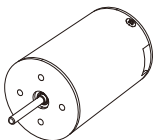

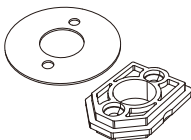
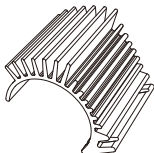
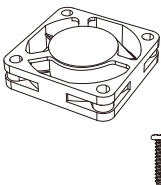
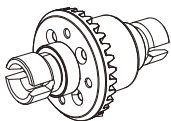


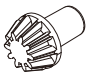
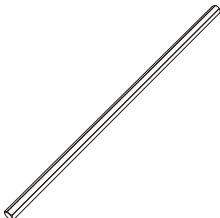
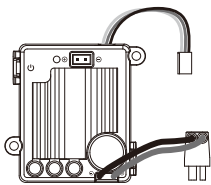

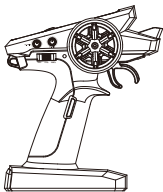
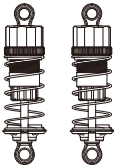
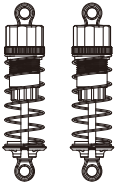
Spare Parts

			 
<p>1601G Body</p>	<p>1610A Front Bumper Assembly (Metal)</p>	<p>1611A Rear Bumper (Metal)</p>	<p>16120S Wheelie Bar Assembly</p>
 			
<p>1612B Tail</p>	<p>16130 Chassis Parts</p>	<p>16140 Battery Clip</p>	<p>16150 Chassis</p>
			
<p>16160 Front Upper Gearbox Covers</p>	<p>16170 Front Shock Tower</p>	<p>16180 Rear Shock Tower</p>	<p>16282 F/R Body Pillars</p>
	 	 	
<p>16190 Rear Upper Gearbox Covers</p>	<p>16210 Front Upper Suspension Arms (Including Ball Head)</p>	<p>16220 Front Lower Suspension Arms (Including Ball Head)</p>	<p>16230 Steering Block</p>

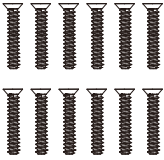
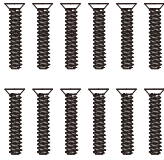

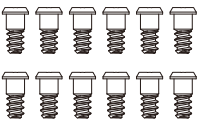
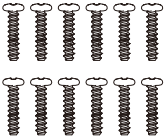

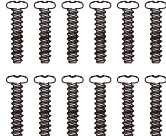
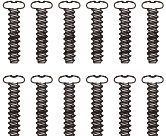
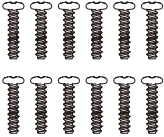







Spare Parts

<p>16240B Rear Upper Suspension Arms (Including Ball Head)</p>	<p>16250 Rear Lower Suspension Arms</p>	<p>16260 Rear Hubs</p>	<p>M25425 F/R Lower Suspension Arms Hinge Pins</p>
<p>M1640A Rear Reinforced Sheet</p>	<p>16300C Wheel Assembly (2PCS)</p>	<p>16410 Metal F/R CVD Shafts (2 Sets)</p>	<p>M20101 Wheel Hex Pins (8PCS)</p>
<p>16440 Wheel Hex</p>	<p>M40 M4 Wheel Lock Nut (8PCS)</p>	<p>16701 Servo</p>	<p>16702 Servo Saver Assembly</p>
<p>16430S Steering Assembly</p>	<p>16431 Steering Linkage (2PCS)</p>	<p>16432 Connecting Rod</p>	<p>16270 ESC/REV Fix Frame</p>

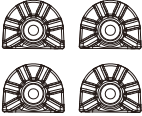
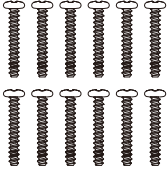
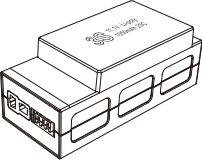
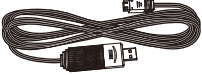
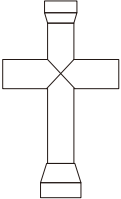
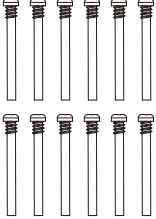
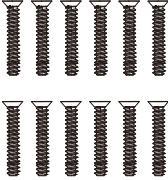
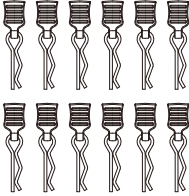

Spare Parts

			
<p>B284C Motor Assembly</p>	<p>B2845 Brushless Motor</p>	<p>16392B Motor Pinions</p>	<p>16393/16393B Motor Guard</p>
			
<p>16395C Motor Heatsink</p>	<p>16397C Motor Fan</p>	<p>16420 Metal Gears Diff Assembly</p>	<p>16400 Metal Gears Main Driving Set</p>
			
<p>16401 Spur Gear Assembly (Metal)</p>	<p>16402 Drive Gear (Metal)</p>	<p>16403 Centre Drive Shaft</p>	<p>E45A Brushless ESC ESC</p>
			
<p>R30 Receiver</p>	<p>T3B Transmitter</p>	<p>16510 Metal Oil Filled Shocks (Front)</p>	<p>16500 Metal Oil Filled Shocks (Rear)</p>

Spare Parts

			
<p>M26124 Countersunk Flat Head Screws (12PCS)</p>	<p>M23124 Countersunk Flat Head Screws (12PCS)</p>	<p>M2523 Rear Fixing Pin (4PCS)</p>	<p>M2665 Step Flat Screws (12PCS)</p>
			
<p>M2384 Round Head Screws (12PCS)</p>	<p>M2664 Round Head Screws (12PCS)</p>	<p>M26104 Round Head Screws (12PCS)</p>	<p>M23104 Round Head Screws (12PCS)</p>
			
<p>M2684 Round Head Screws (12PCS)</p>	<p>M26645 Countersunk Flat Head Screws (12PCS)</p>	<p>M25845 Countersunk Machine Screws (12PCS)</p>	<p>M3066 Countersunk Machine Screws (12PCS)</p>
			
<p>R1810 Ball Bearing (8PCS)</p>	<p>R168Z Ball Bearing (8PCS)</p>	<p>Q1601 Steering Pivot Balls (8PCS)</p>	<p>Q1602 Steering Pivot Balls (8PCS)</p>

Spare Parts

			
<p>1650T Cover</p>	<p>M2516 Machine Screws (12PCS)</p>	<p>B3105 Battery</p>	<p>P3050 USB Charging Cable</p>
			
<p>P812 Hexagonal Wrench</p>	<p>M3294 Round Head Half Thread Screws (12PCS)</p>	<p>M26154 Countersunk Flat Head Screws (12PCS)</p>	<p>M001 Body Clips (12PCS)</p>
			
<p>P810 Screwdriver</p>			



MADE IN CHINA

Instructions must be retained since it contains important information.